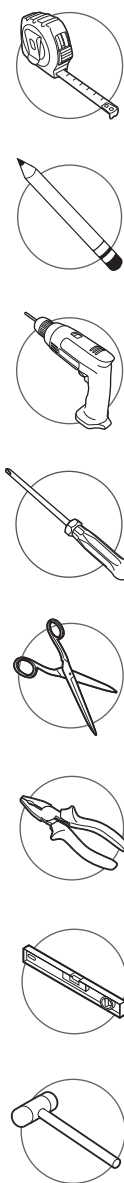
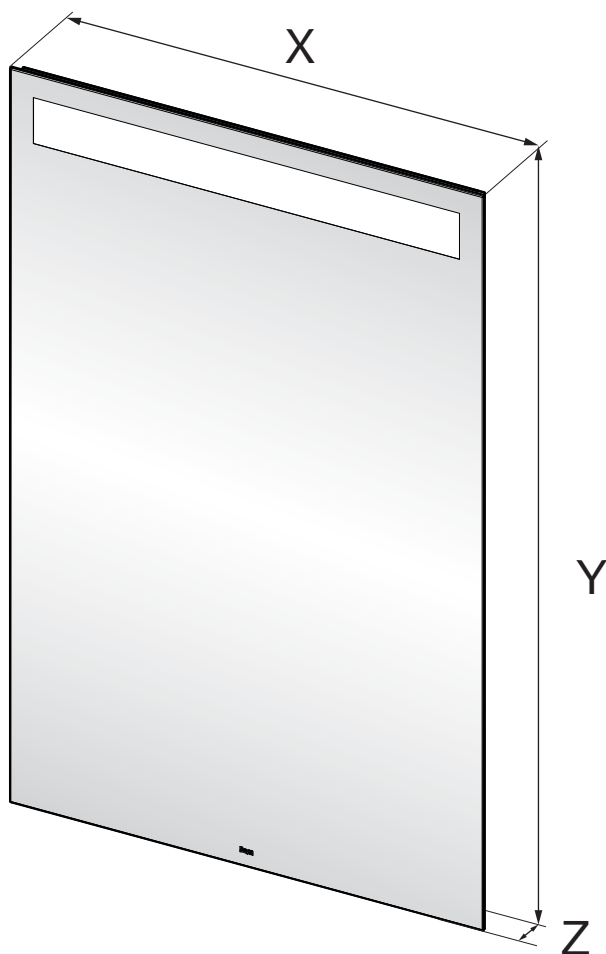




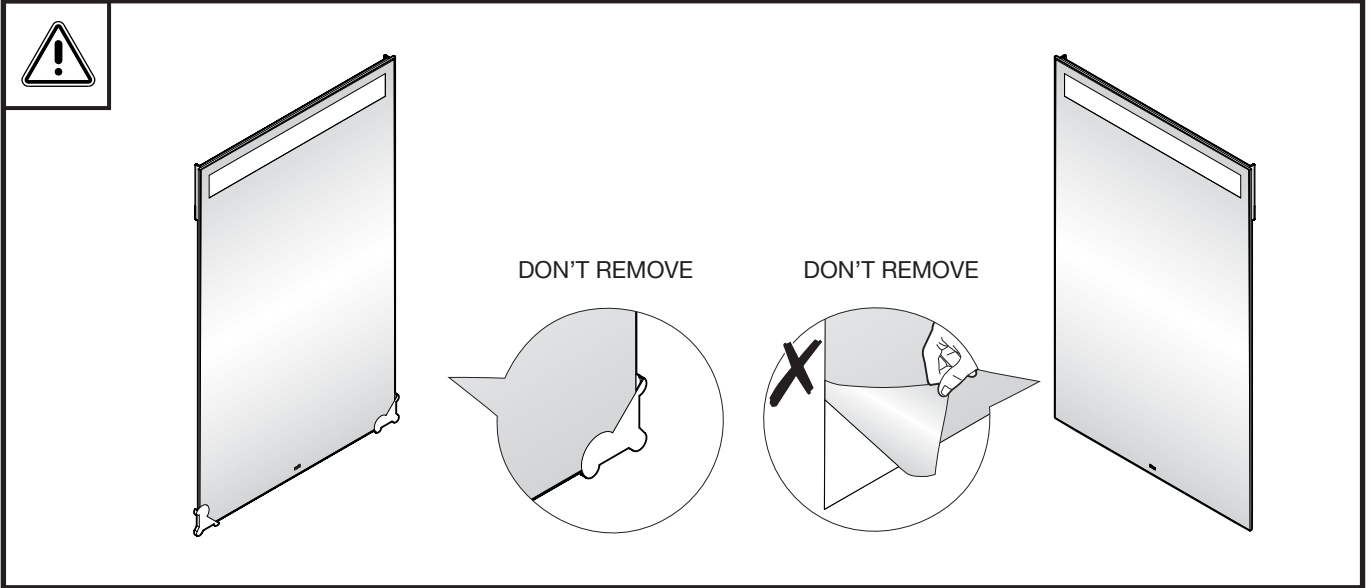
Roca

LED MIRROR



| | | mm | | |
|---|------------|-----|-----|----|
| | | X | Y | Z |
| A | A812387000 | 400 | 800 | 23 |
| | A812388000 | 450 | 800 | 23 |
| | A812354000 | 500 | 800 | 23 |
| | A812389000 | 550 | 800 | 23 |
| | A812355000 | 600 | 800 | 23 |
| | A812390000 | 650 | 800 | 23 |

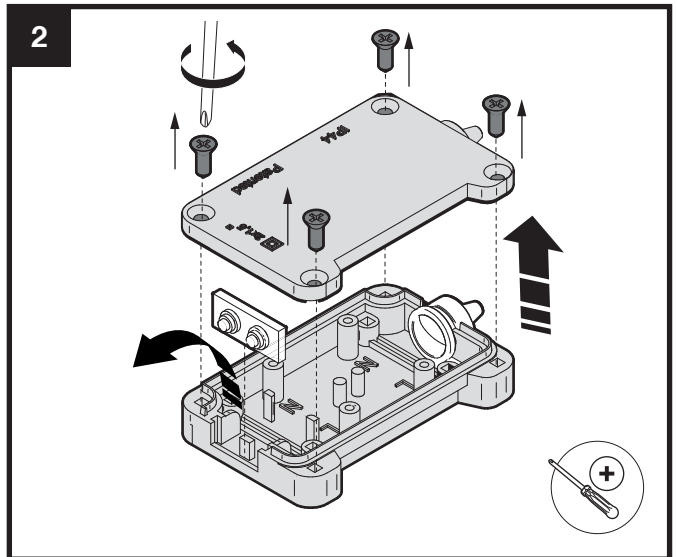
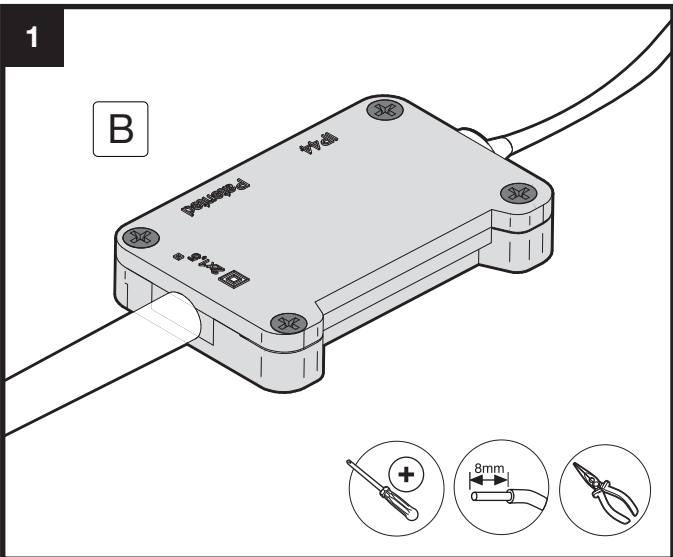
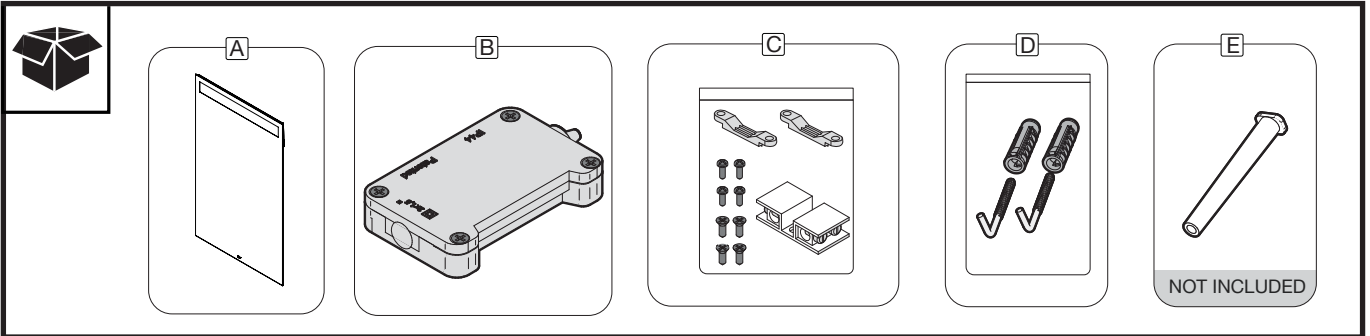
| | | mm | | |
|---|------------|------|-----|----|
| | | X | Y | Z |
| A | A812359000 | 700 | 800 | 23 |
| | A812356000 | 800 | 800 | 23 |
| | A812360000 | 900 | 800 | 23 |
| | A812357000 | 1000 | 800 | 23 |
| | A812361000 | 1100 | 800 | 23 |
| | A812358000 | 1200 | 800 | 23 |

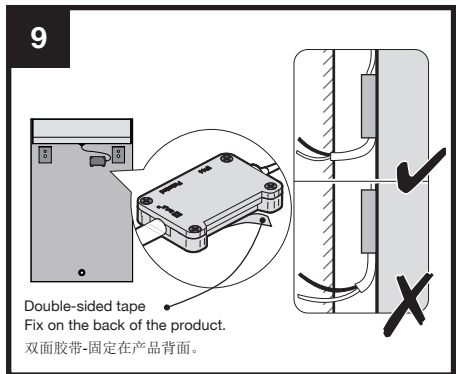
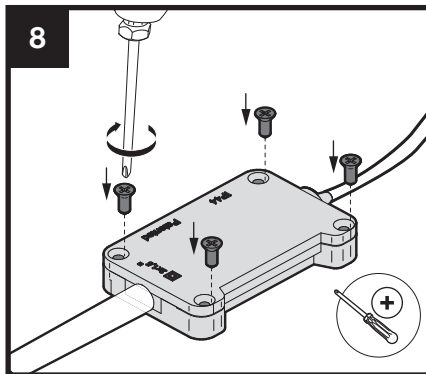
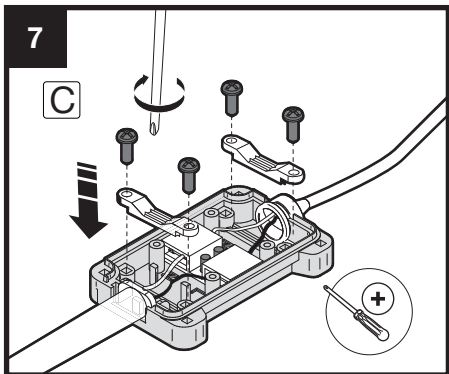
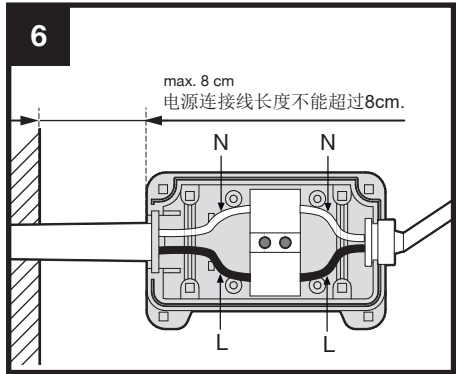
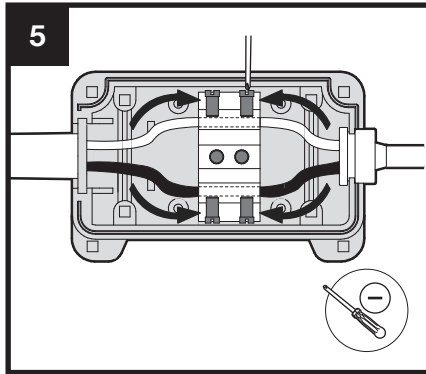
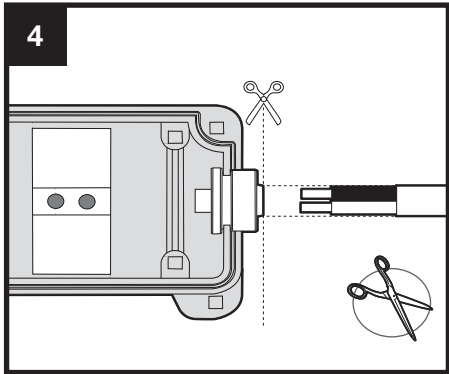
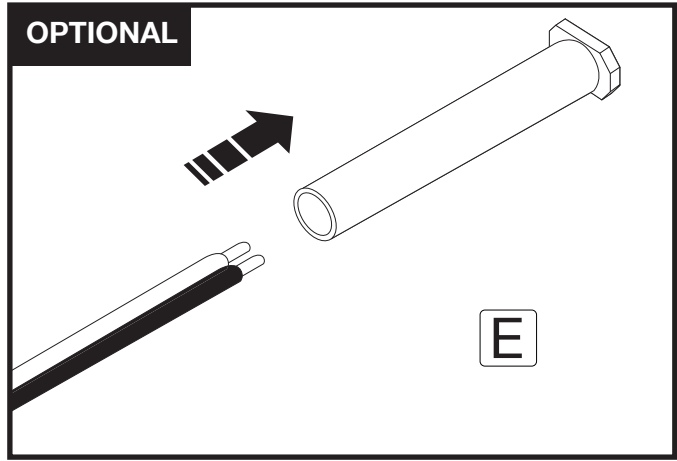
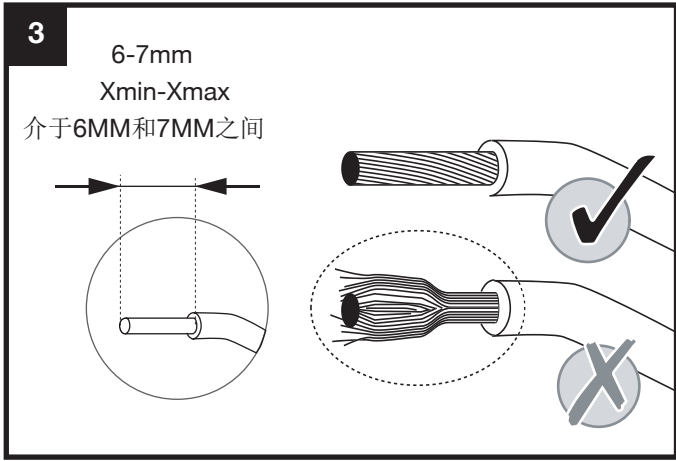



220-240V ~ 50/60Hz
LED Max 1x A W
IP44

| | A |
|--------|----|
| 400mm | 8 |
| 450mm | 8 |
| 500mm | 10 |
| 550mm | 10 |
| 600mm | 10 |
| 650mm | 10 |
| 700mm | 11 |
| 800mm | 12 |
| 900mm | 13 |
| 1000mm | 15 |
| 1100mm | 15 |
| 1200mm | 16 |

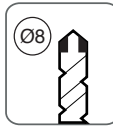
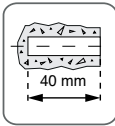
min. 2 x 0,5-1,5mm²






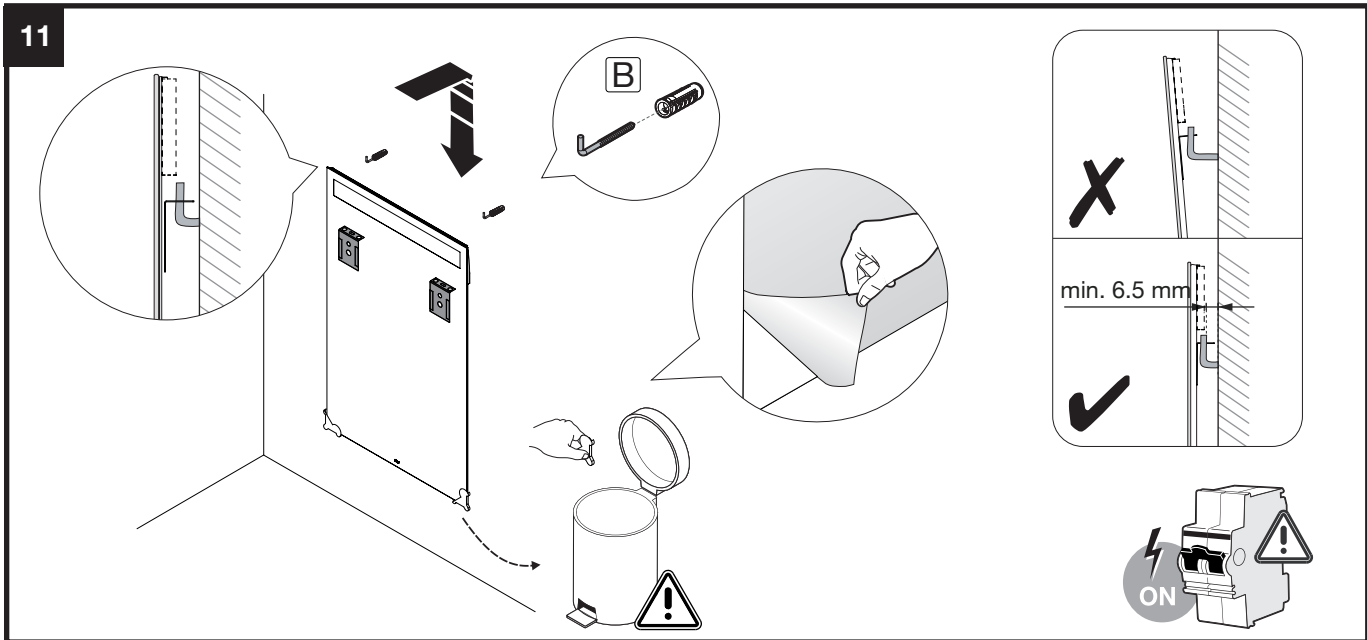
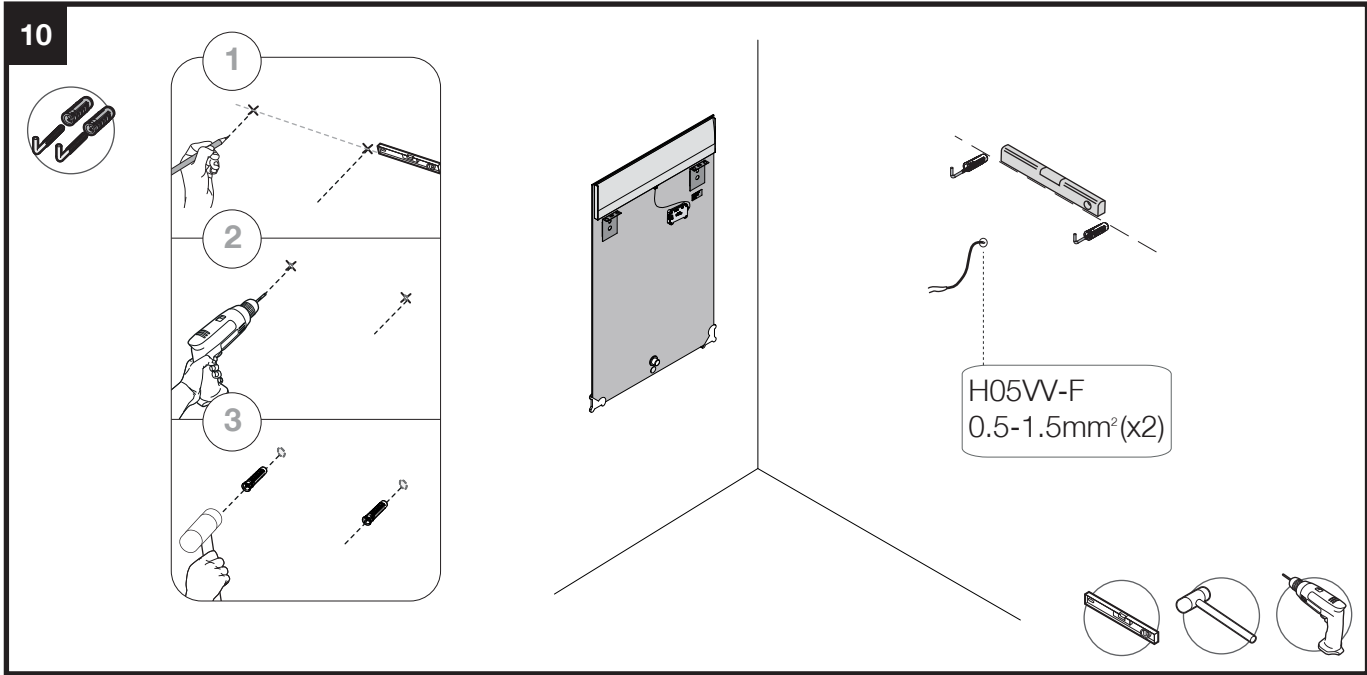




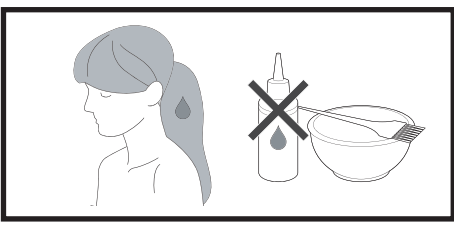
| X | A | H |
|------|------|-----|
| 400 | 260 | 145 |
| 450 | 310 | 145 |
| 500 | 360 | 145 |
| 550 | 410 | 145 |
| 600 | 460 | 145 |
| 650 | 510 | 145 |
| 700 | 560 | 145 |
| 800 | 660 | 145 |
| 900 | 760 | 145 |
| 1000 | 860 | 145 |
| 1100 | 960 | 145 |
| 1200 | 1060 | 145 |

  40 mm



Must be cleaned with
NEUTRAL pH
cleaning product
应用中性清洁产品清洁.



La fuente de luz de este espejo con luz es no reemplazable; cuando la fuente de luz alcance el final de su vida, se debe sustituir el espejo con luz completo.

The light source of this light mirror is non-replaceable; When the light source reaches the end of its life, it must replace the complete light mirror.

灯具的光源是不可替换的，当灯具的光源达到寿命期限时，应替换整个灯具。

DIN A3



Roca Sanitario, S.A.
Avda. Diagonal, 513
08029 Barcelona
SPAIN
www.roca.com

933 661 266 LÍNEA DE ATENCIÓN AL CONSUMIDOR ESPAÑA
SERVICIO TÉCNICO ESPAÑA

productsupport.rs@roca.net
soporteproducto.rs@roca.net

Q40600204G-f