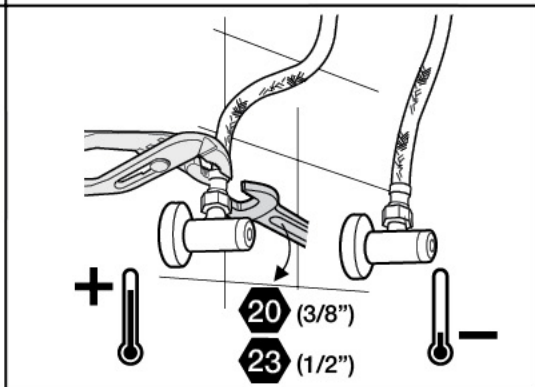
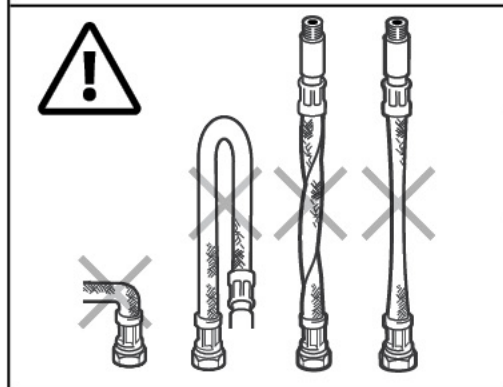
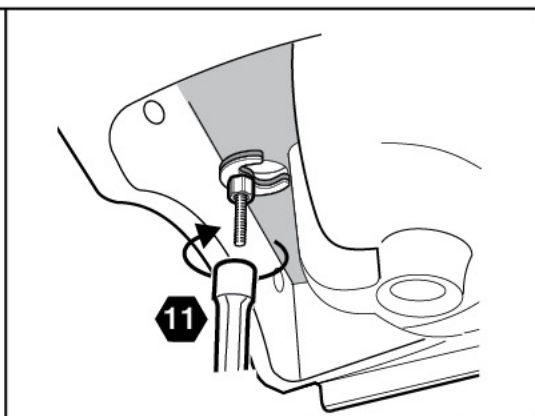
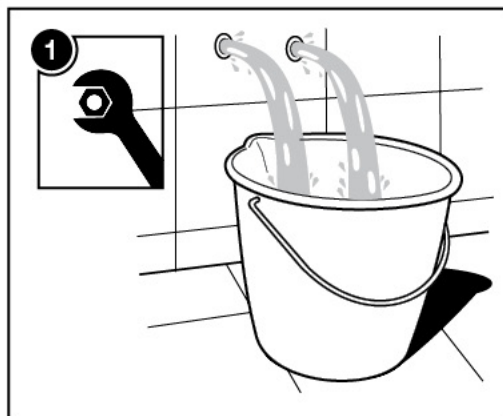


















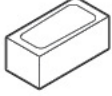


**Roca**

# CARMEN





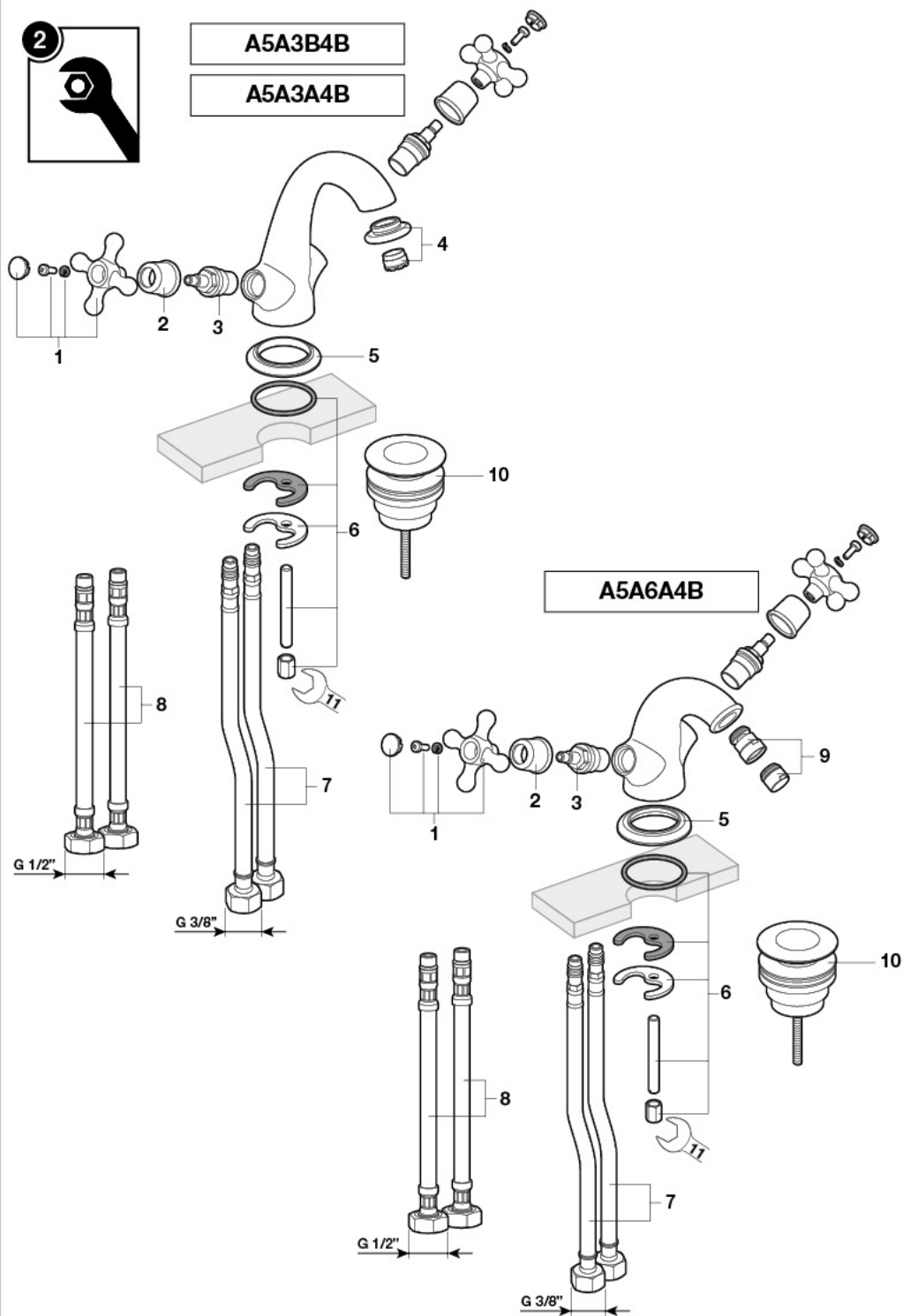
 <b>P</b> 	<b>P</b> bar	 <b>MAX.</b> 10			
 <b>P</b> 	<b>P</b> bar	<b>MIN.</b> 0,5	 <b>MAX.</b> 10	 <b>3</b> 1	
 <b>T</b>	<b>°C</b>	 <b>-80 MAX.</b> <b>-45 MIN.</b>	 <b>-65</b> <b>-50</b>		
 <b>Q</b> ( 3 bar )	<b>l/min</b>	 <b>9</b>	 <b>5</b>	 <b>8</b>	 <b>20</b>

2



A5A3B4B

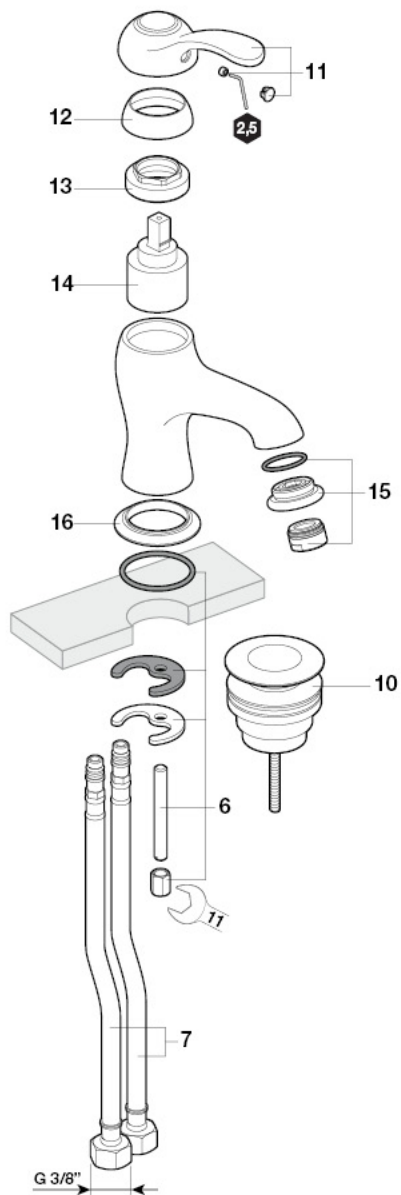
A5A3A4B



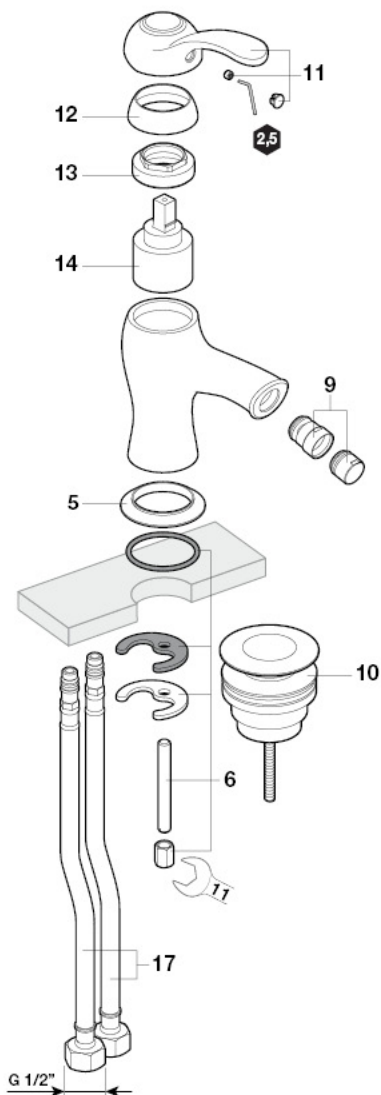


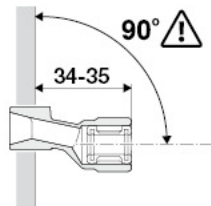
A5A304B

A5A314B

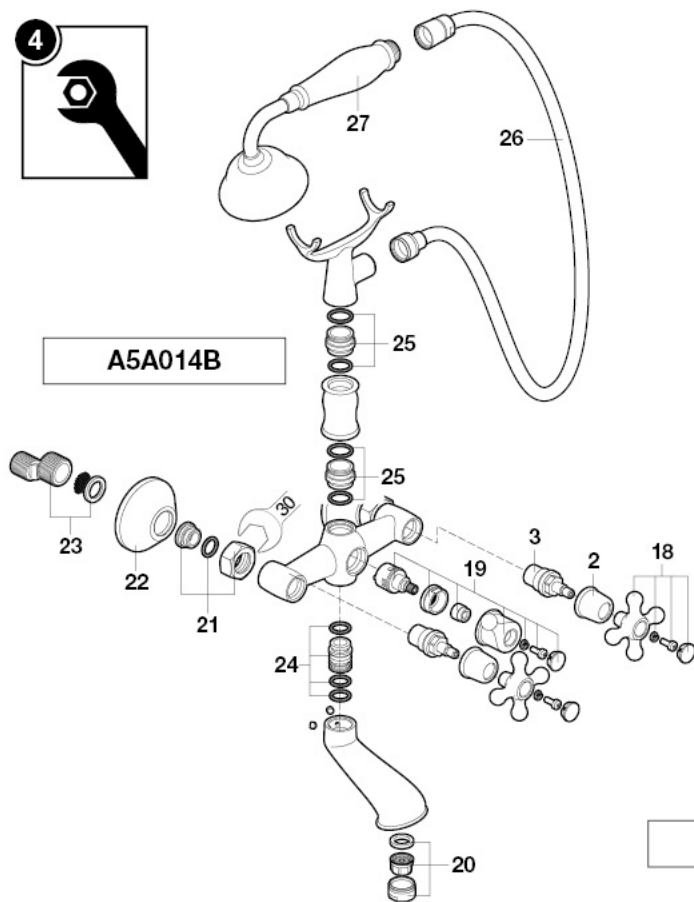


A5A604B

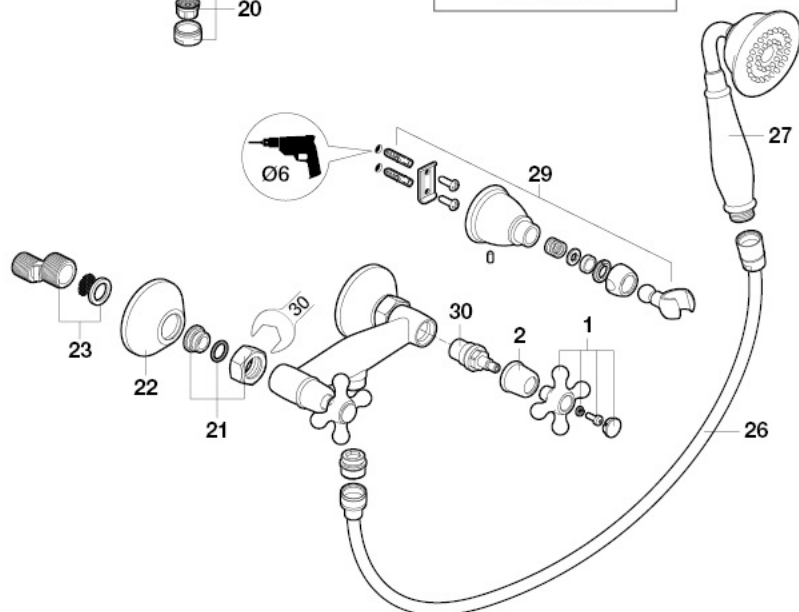




A5A014B



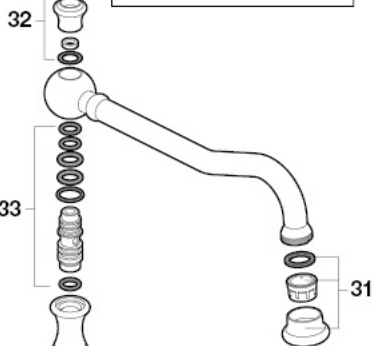
A5A204B



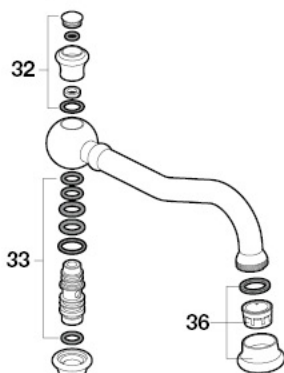
5



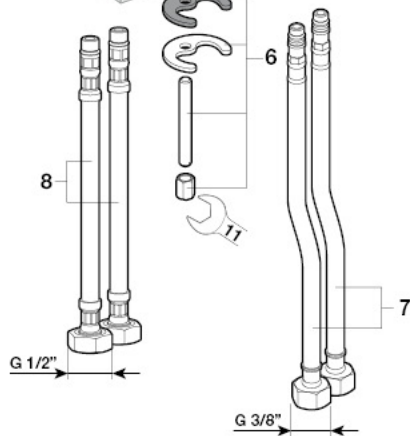
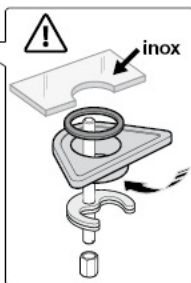
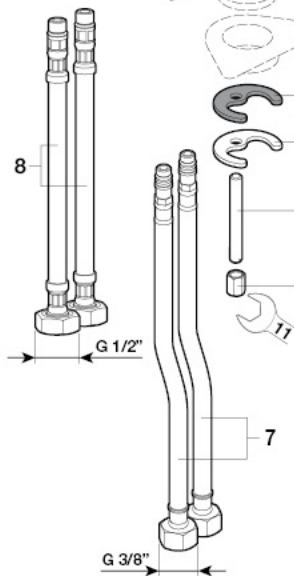
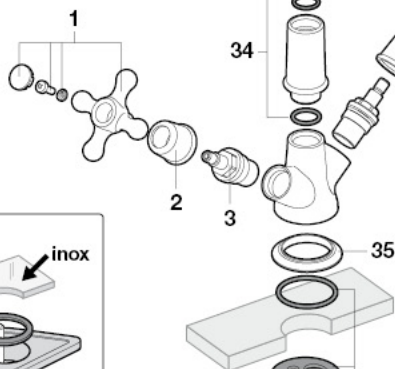
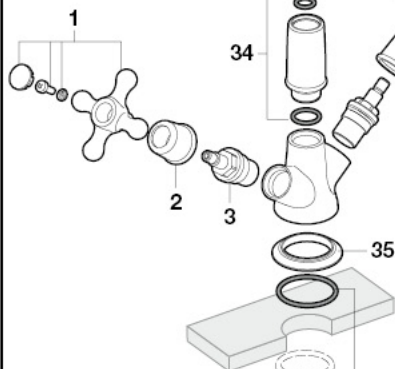
A5A844B



A5A384B



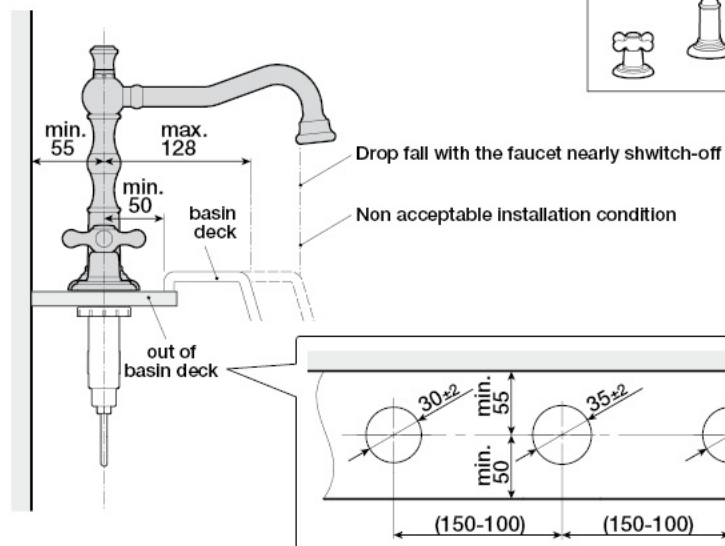
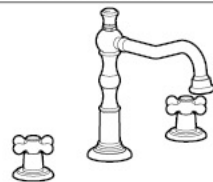
**Q**  
(3bar) 9l/min



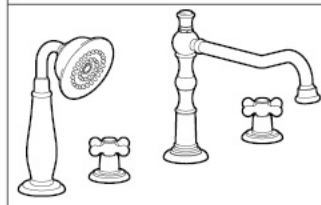
6



A5A444B



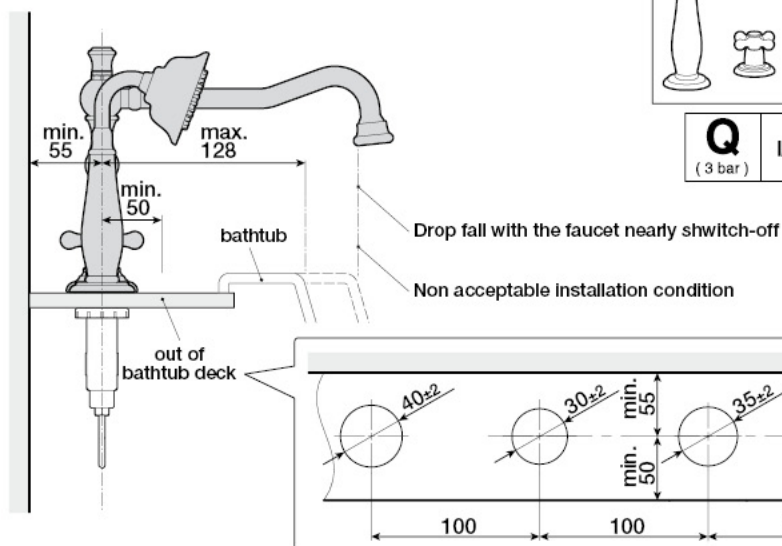
A5A094B

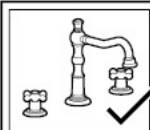


**Q**  
(3 bar)

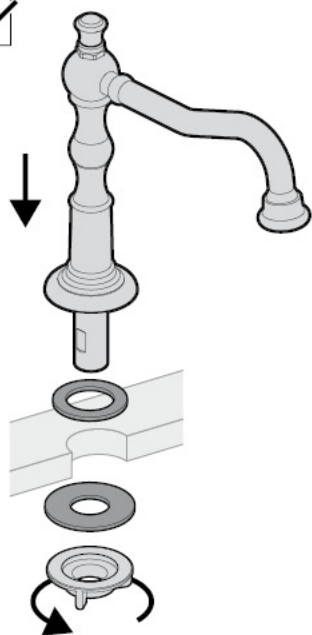
l/min

24

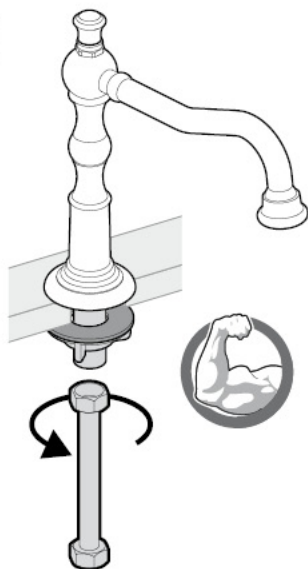




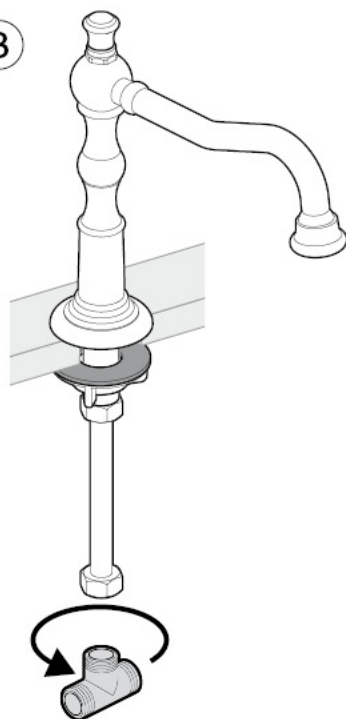
1



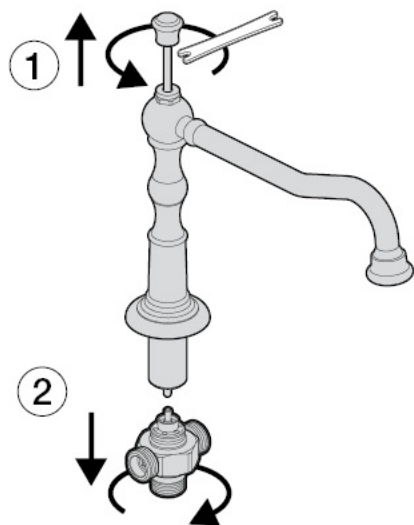
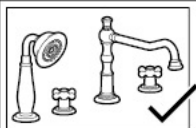
2



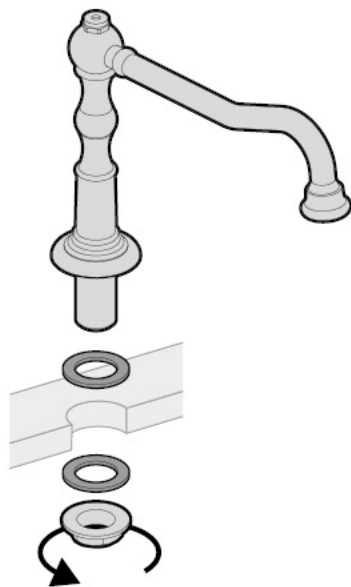
3



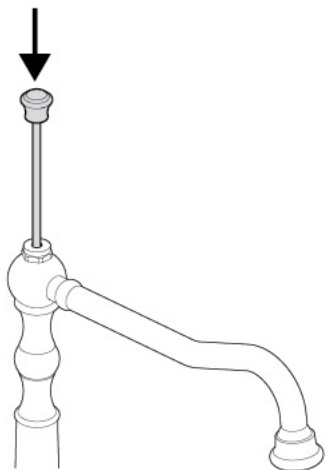




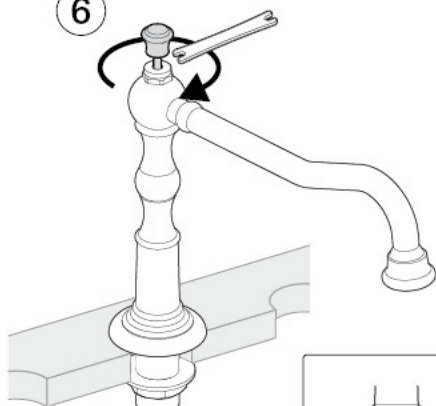
3



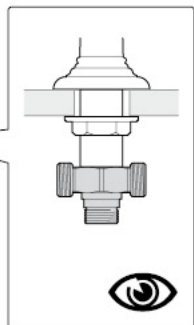
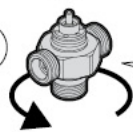
4

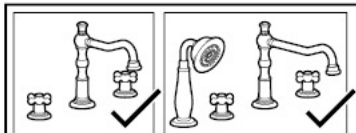


6

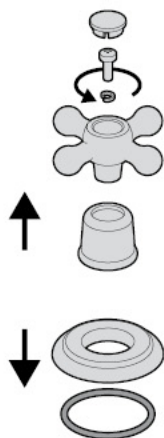


5

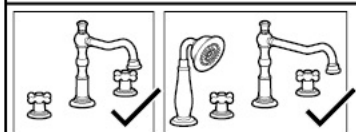
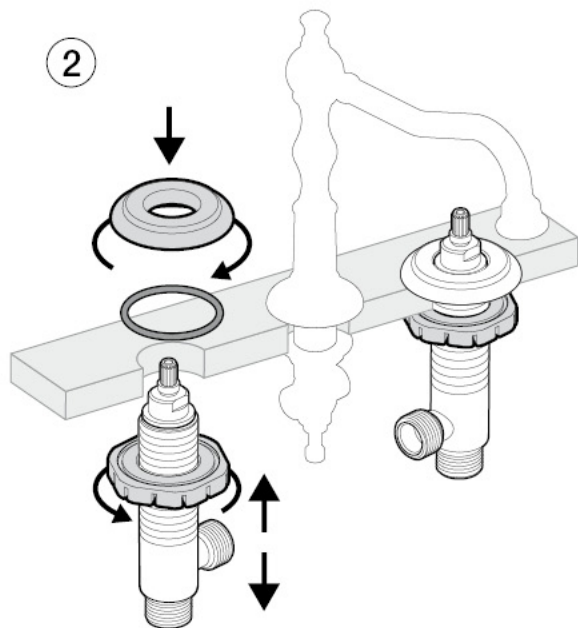




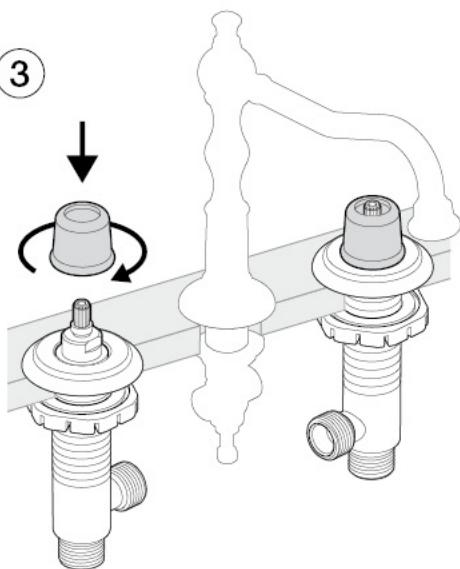
1



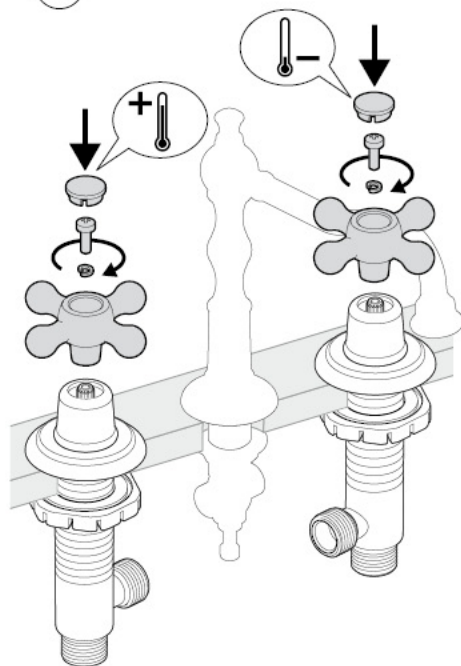
2

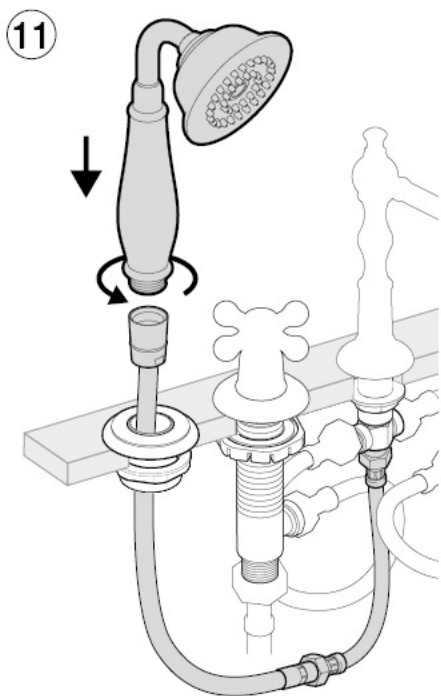
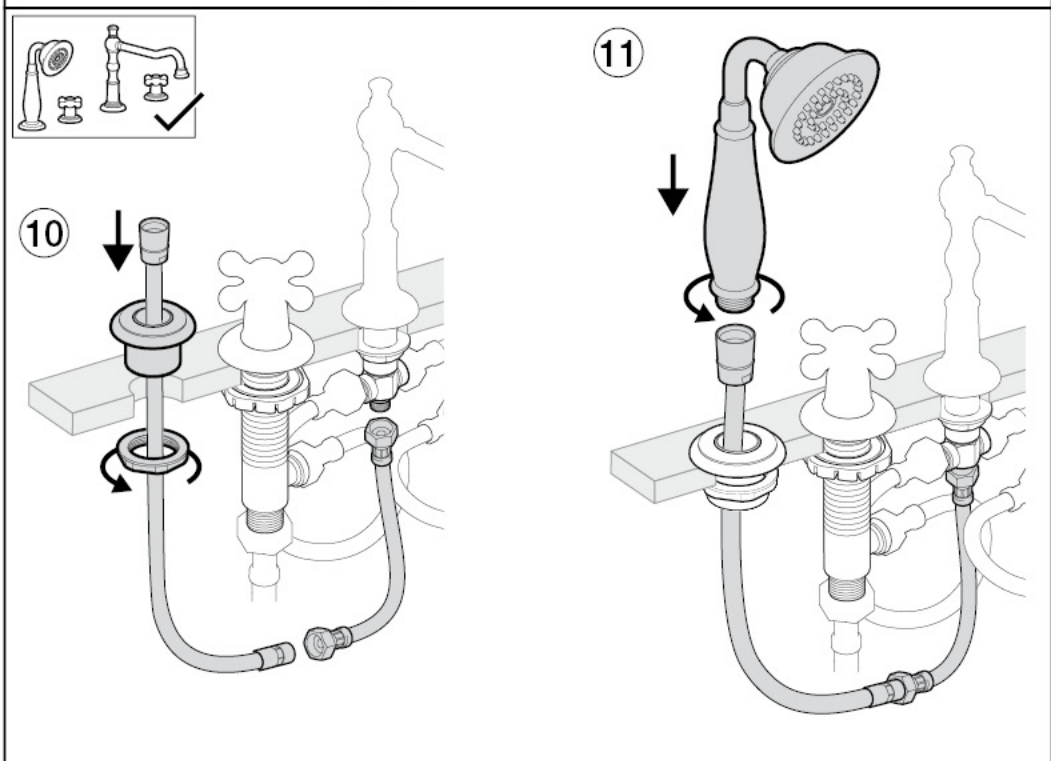
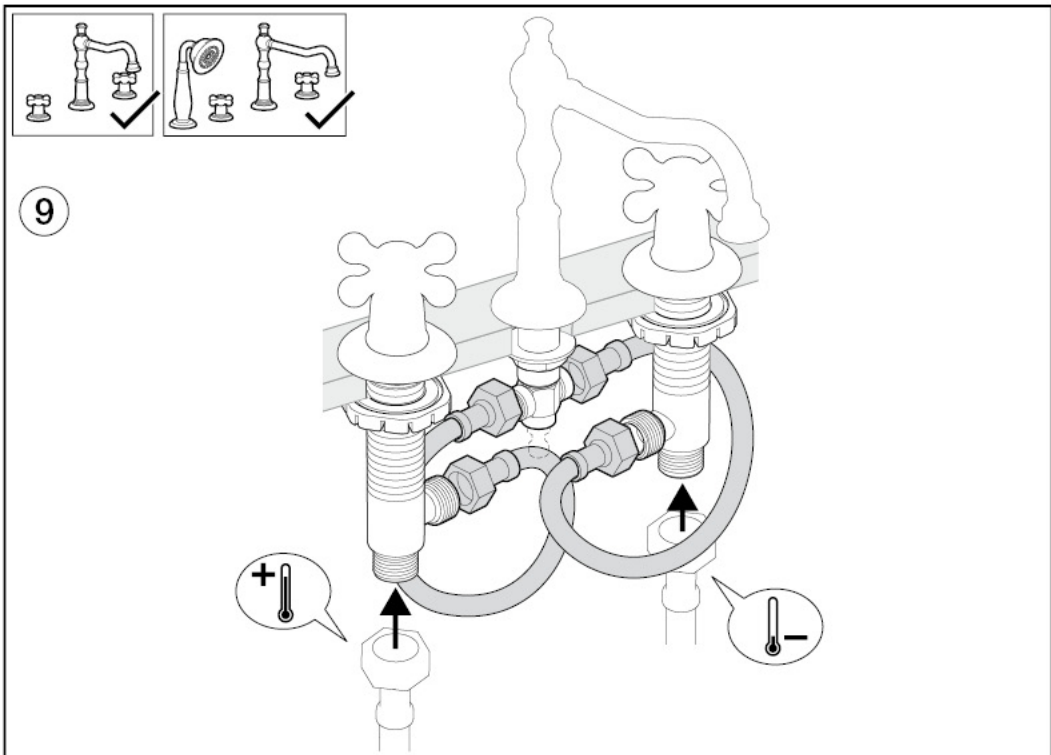


3



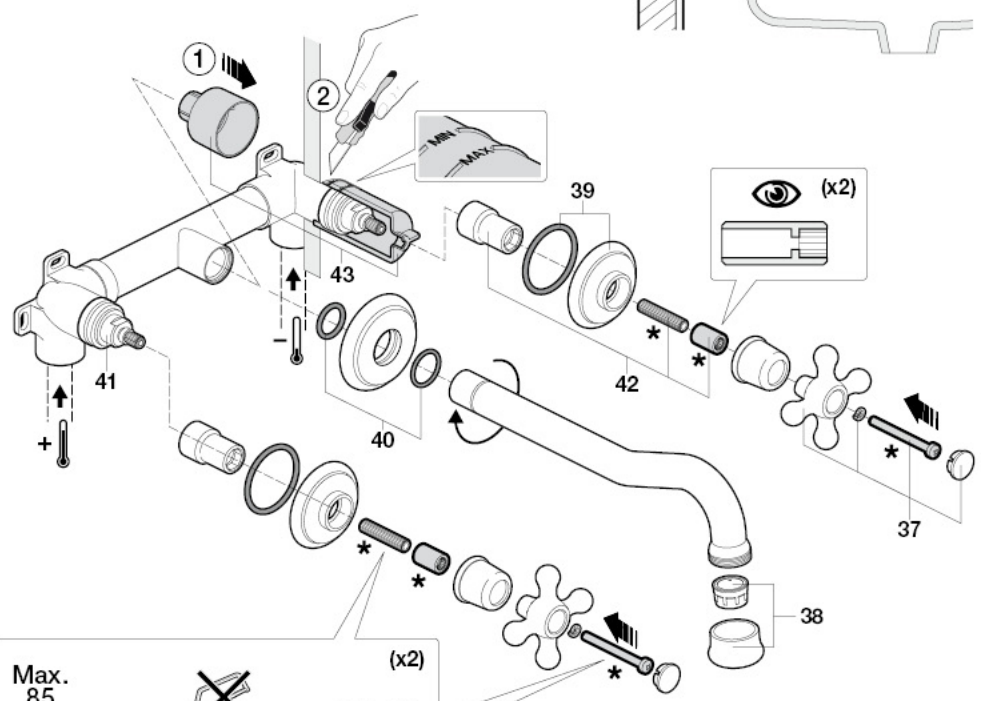
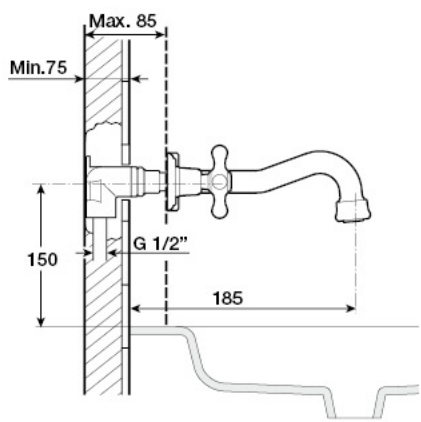
4



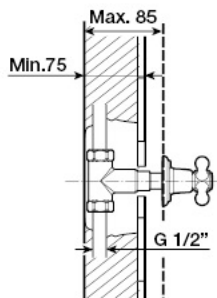




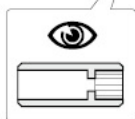
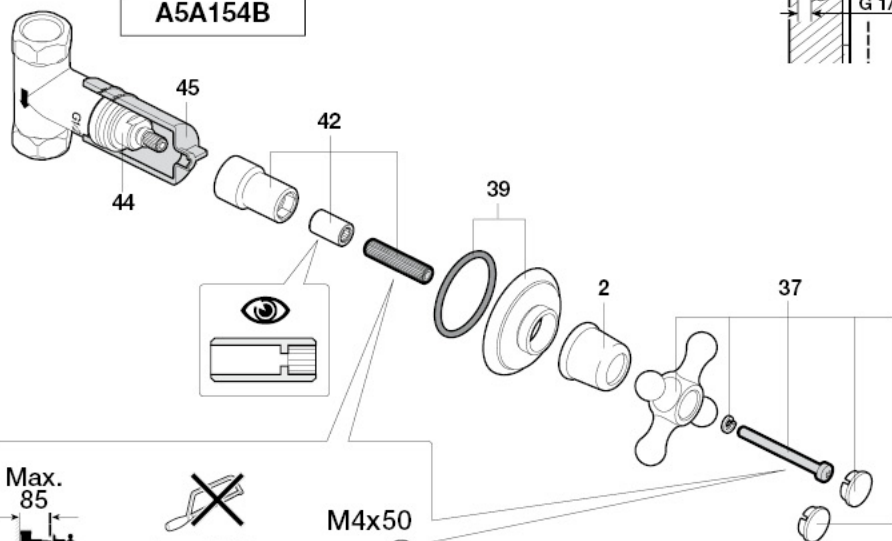
**A5A474B**



<p>Max. 85</p>		<p>(x2)</p> <p>M4x50</p>
<p>80</p>		<p>(x2)</p> <p>M4x45</p>
<p>Min. 75</p>		<p>(x2)</p> <p>M4x40</p>



A5A154B



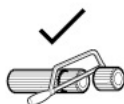
Max.  
85



M4x50

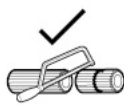


80



M4x45

Min.  
75



M4x40





1 - AG01660..R	18 - AG01679..R	35 - AG01695..R
2 - AG01661..R	19 - AG01680..R	36 - AG01696..R
3 - AG0166200R	20 - AG01681..R	37 - AG01697..R
4 - AG01663..R	21 - AG01682..R	38 - AG01698..R
5 - AG01664..R	22 - AG01683..R	39 - AG01699..R
6 - AG0166500R	23 - AG0168400R	40 - AG01700..R
7 - AG0166800R	24 - AG0168500R	41 - AG0172400R
8 - AG0166900R	25 - AG0168600R	42 - AG0170200R
9 - AG01670..R	26 - AG0168700R	43 - AG0172500R
10 - AG01671..R	27 - A5B114B...	44 - AG0170100R
11 - AG01672..R	28 - AG0168800R	45 - AG0172600R
12 - AG01673..R	29 - AG01689..R	46 - AG01703..R
13 - AG0167400R	30 - AG0169000R	47 - AG0170400R
14 - AG0167500R	31 - AG01691..R	48 - AG01705..R
15 - AG01676..R	32 - AG01692..R	49 - AG01707..R
16 - AG01677..R	33 - AG0169300R	50 - AG0170800R
17 - AG0167800R	34 - AG0169400R	

Sustituir (..) de la referencia del recambio por el código del acabado elegido:

In the spare part number replace (..) with the code for the chosen finish:

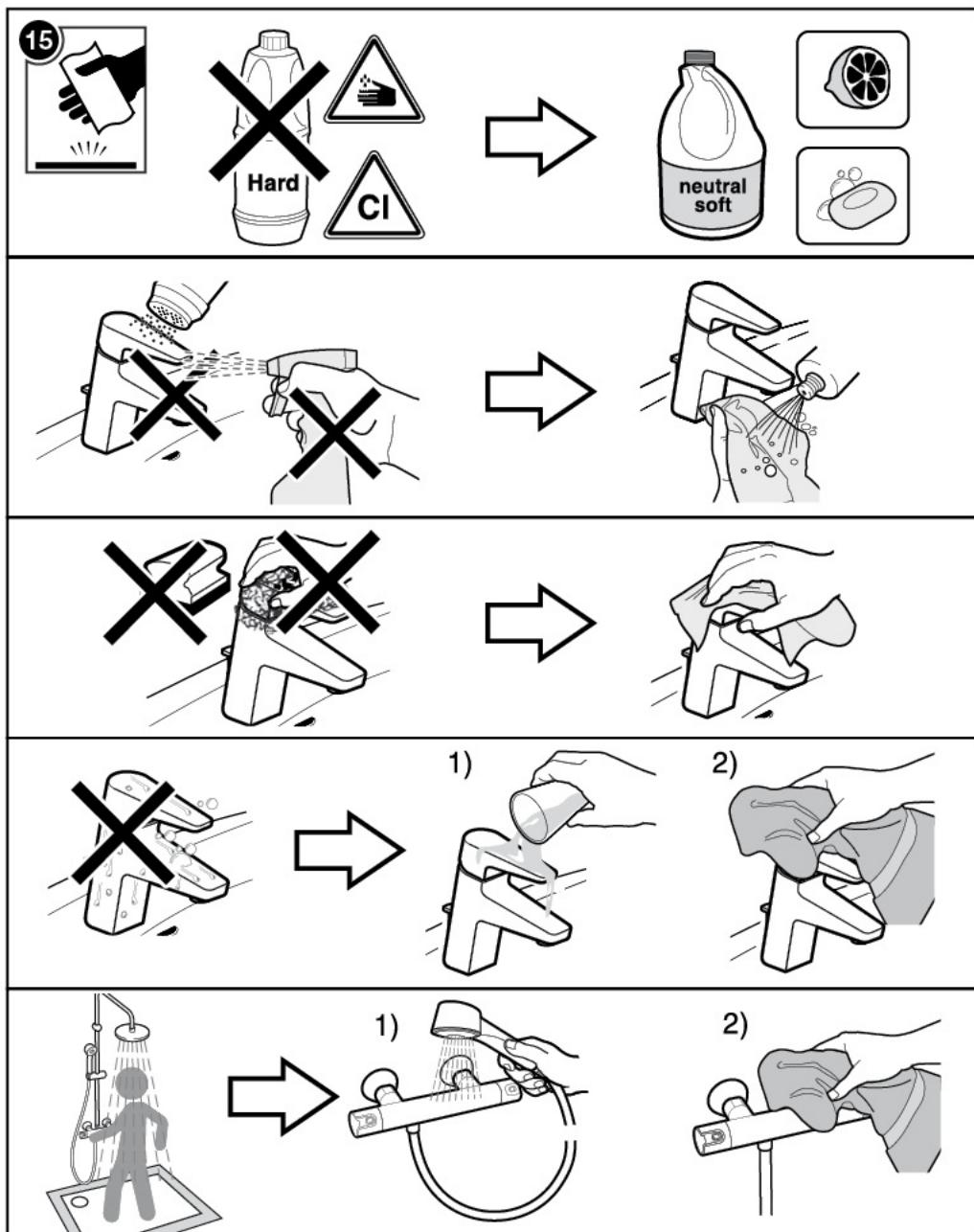
**00 Cromado / Chromed**

**CN Shiny Gold**

**NM Brushed Black**

**CM Brushed Stainless Steel**

**VA Brushed Gold**



Roca Sanitaryware (Suzhou) Co., Ltd  
 Address: No.16 Xia Sheng Road 215123,  
 Suzhou Industry Park, Suzhou, China  
 Tel: +86 512 6295 3337  
 Fax: +86 512 6295 3799

**Roca**

Roca Sanitario, S.A.  
 Avda. Diagonal, 513  
 08029 Barcelona  
 SPAIN  
 www.roca.com

**933** LÍNEA DE ATENCIÓN  
**661** AL CONSUMIDOR  
**266** ESPAÑA

SERVICIO TÉCNICO  
 ESPAÑA



productsupport.rs@roca.net  
 soporteproducto.rs@roca.net

A563091107h