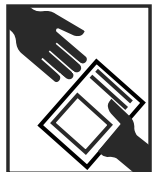
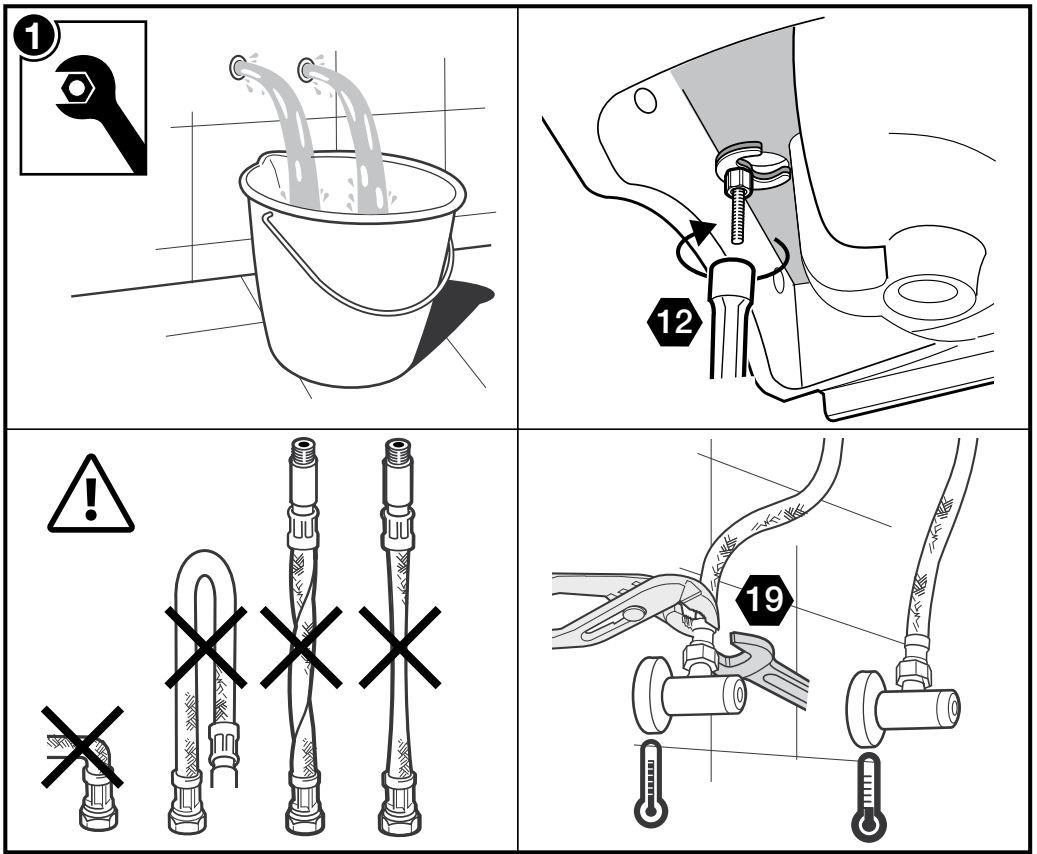


Roca

L20





| | | | |
|---------------------|-----------------|----------------------------------|---|
| P | P bar | MAX 10 | |
| P | P bar | 5 MAX MIN 1 | 3 2 |
| T | °C | 80 MAX. | 65 50 |
| Q (3 bar) | l/min | 8 | 5 1,7 A5A3J09C0D 20 |

2



A5A3009

A5A3209

A5A3B09

A5A3E09

A5A3G09

A5A3J09

A5A3109

A5A3A09

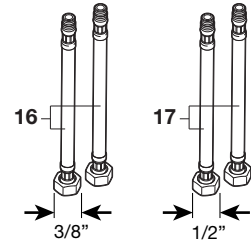
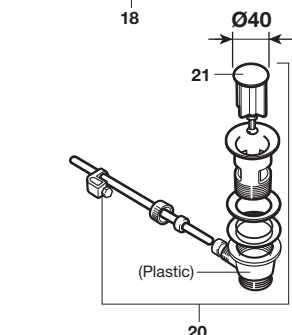
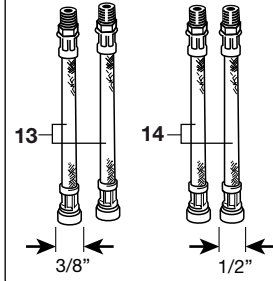
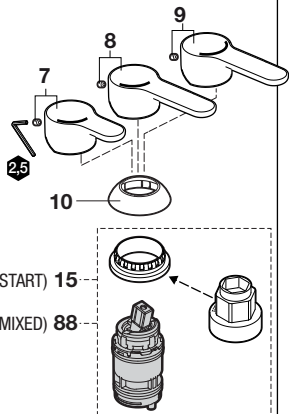
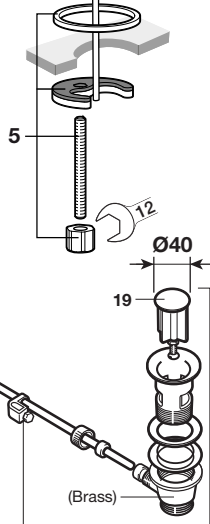
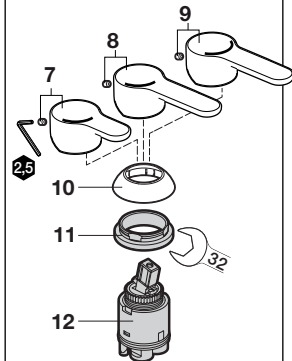
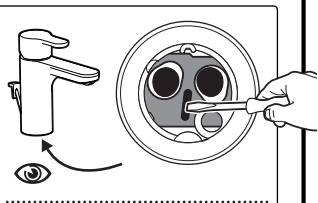
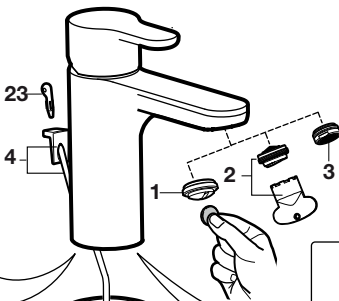
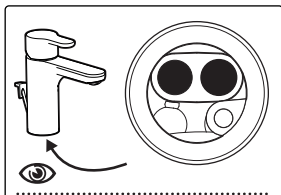
A5A3D09

A5A3F09

A5A3I09

A5A3K09

A5A3N09

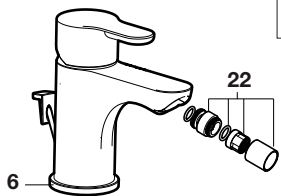


A5A6009

A5A6109

A5A6A09

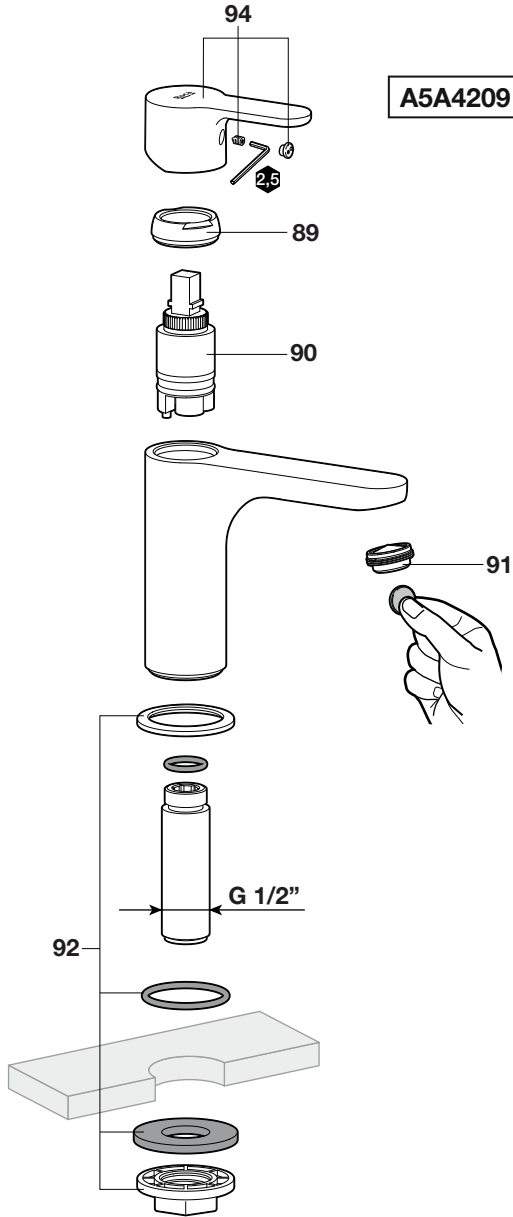
A5A6B09



3



A5A4209



4

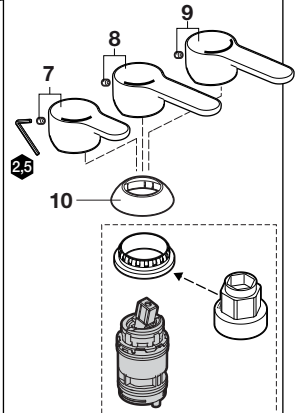
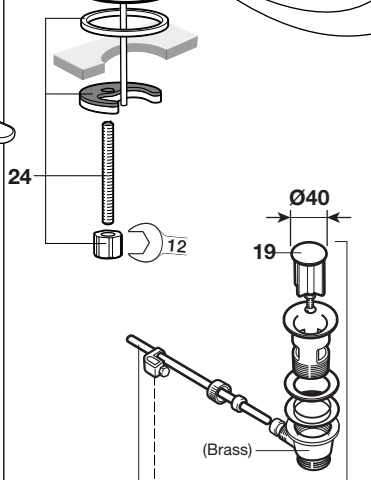
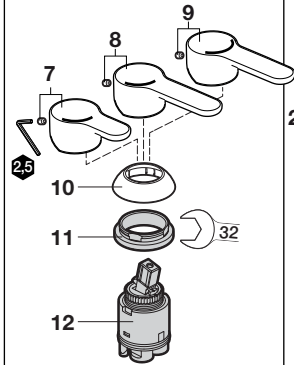
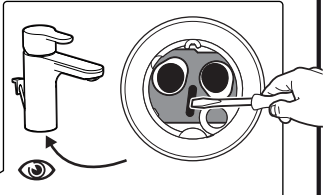
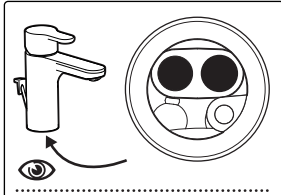
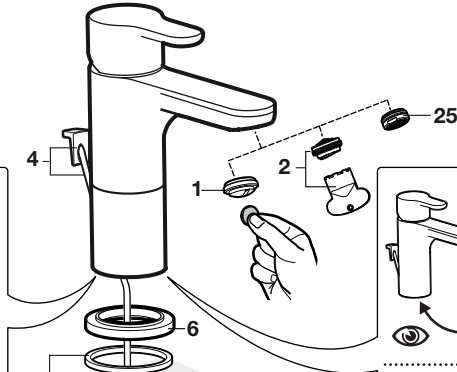


A5A3409

A5A3C09

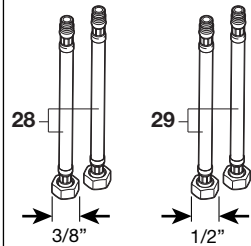
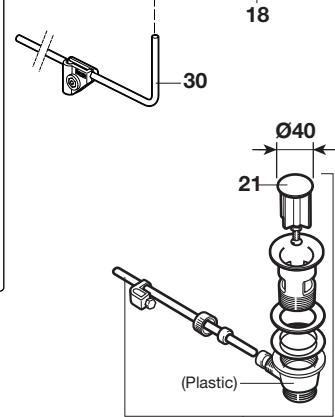
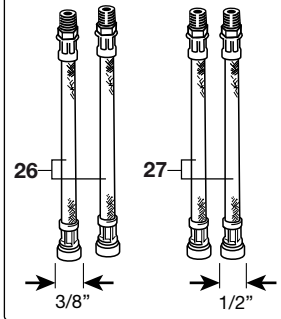
A5A3H09

A5A3P09



(COLD START) 15

(MIXED) 88

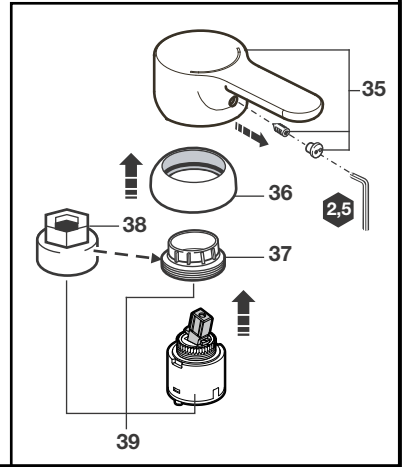
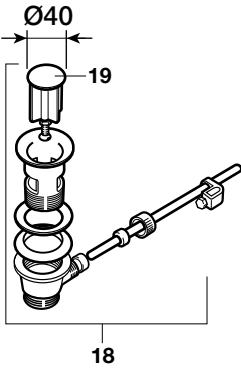
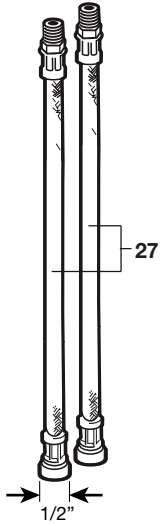
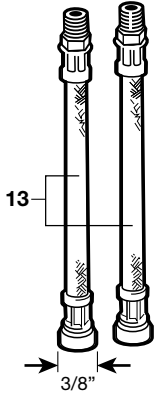
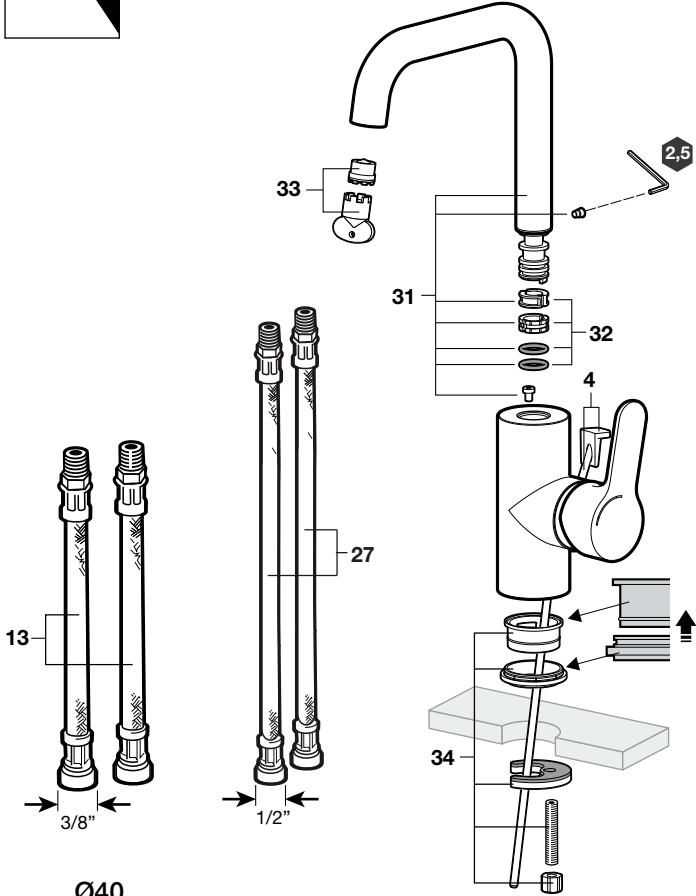


20

5



A5A4009

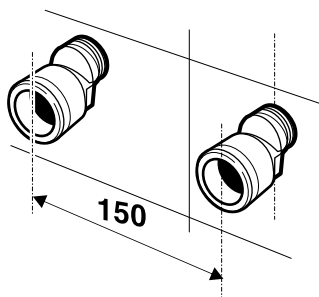
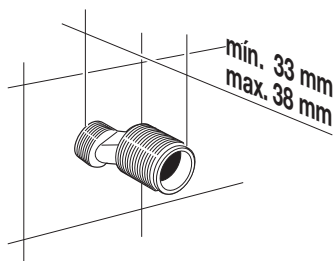
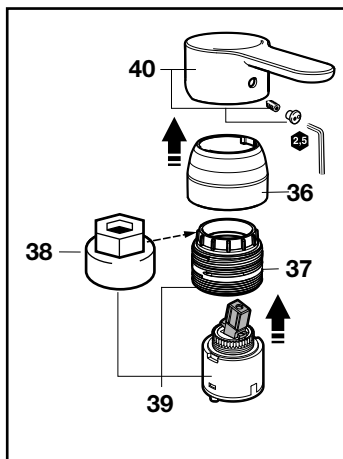
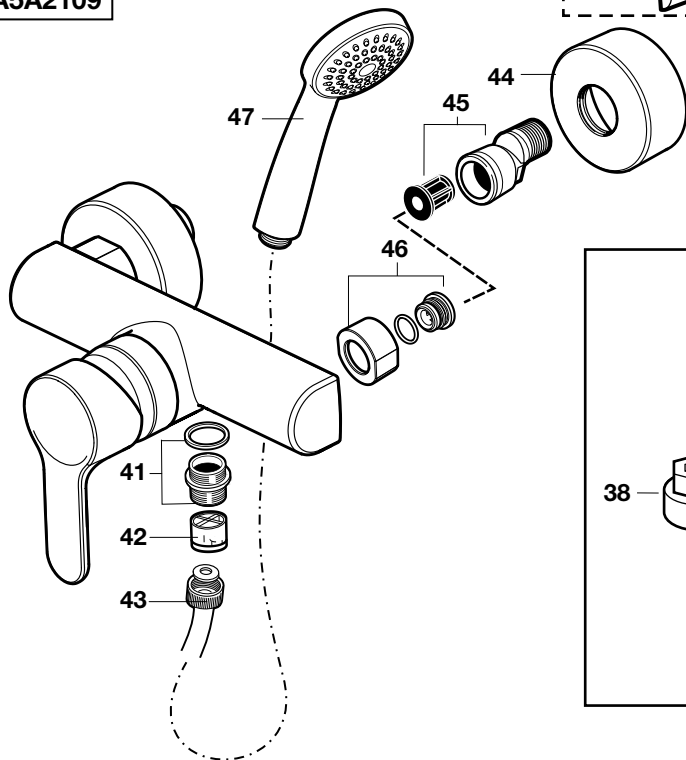
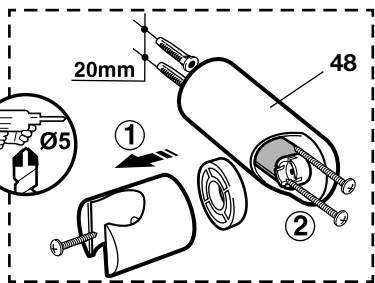


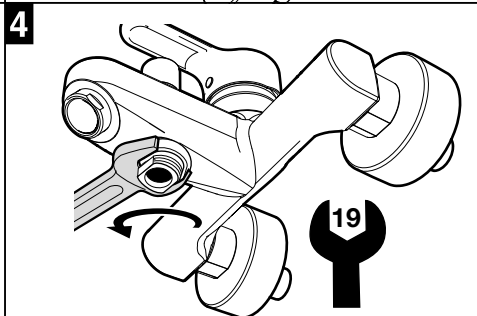
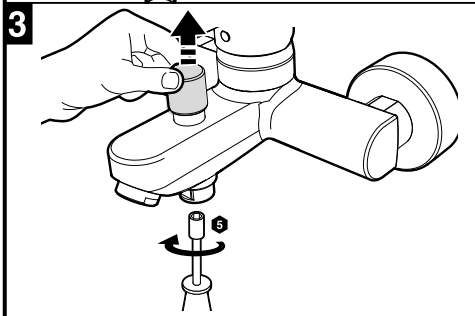
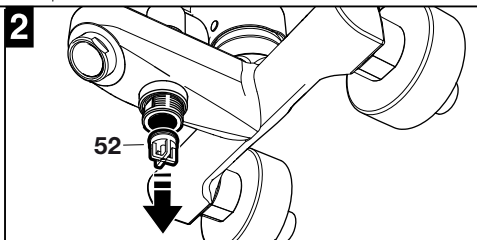
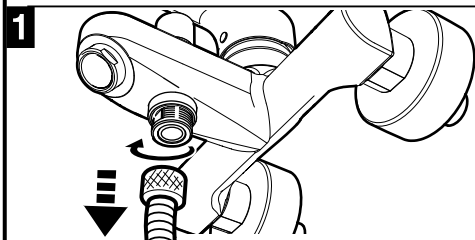
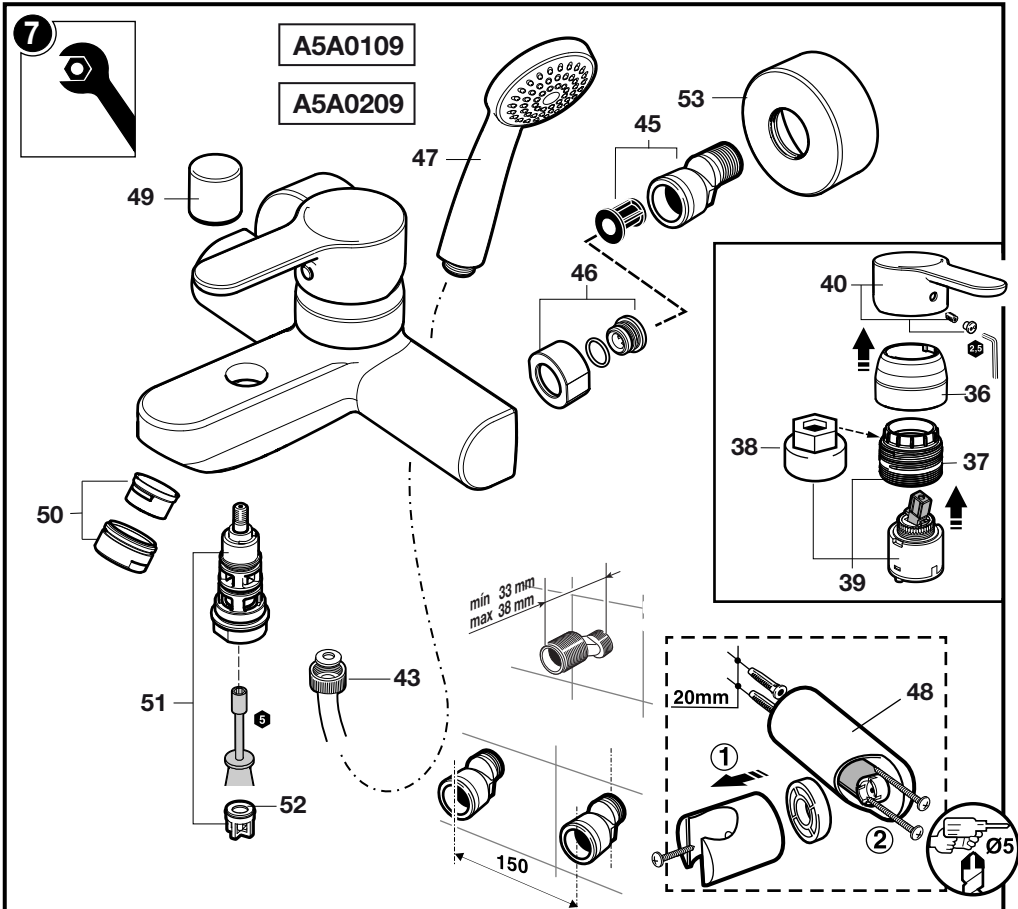


6

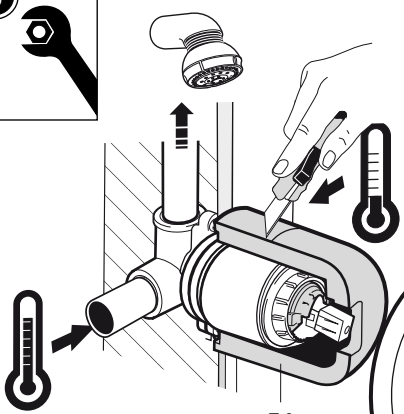
A5A2009

A5A2109

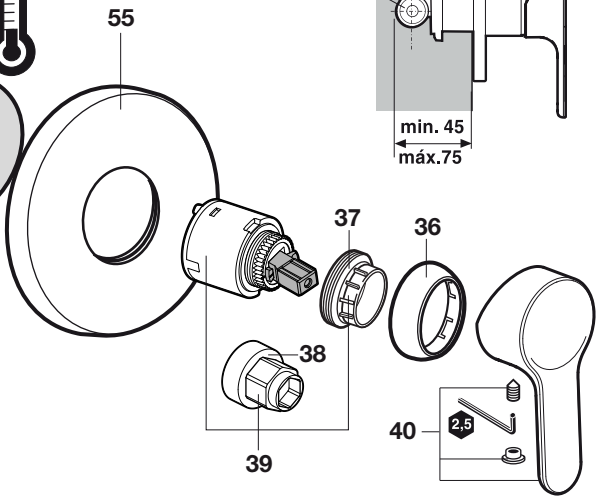




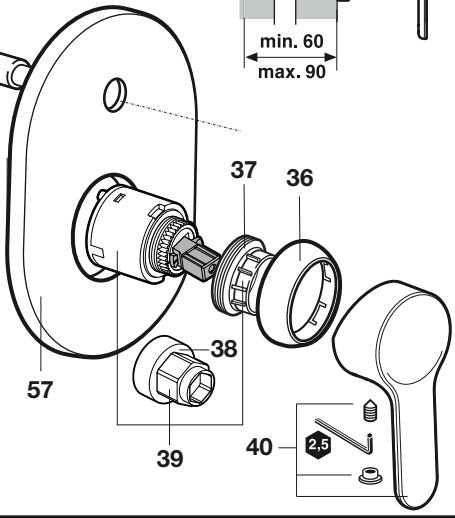
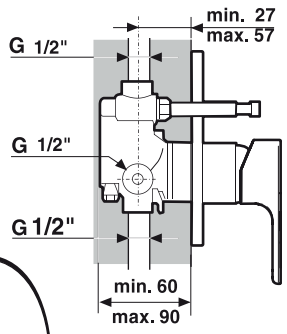
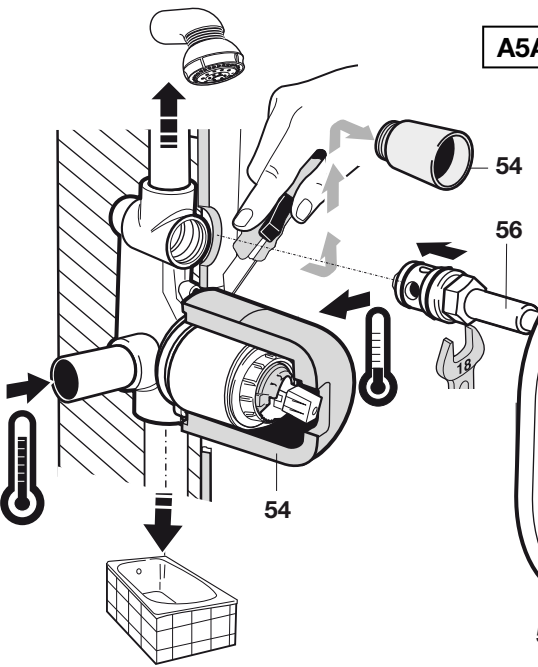
8



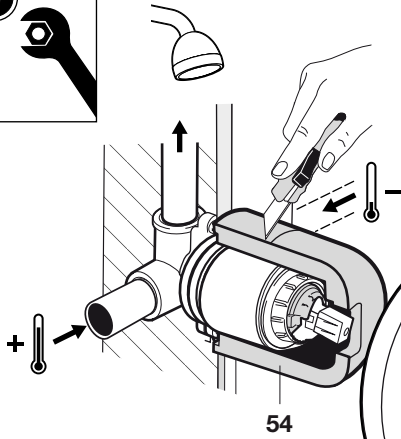
A5A2209



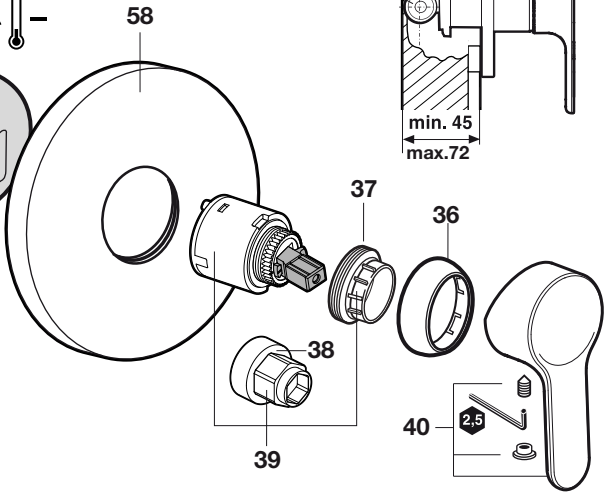
A5A0609



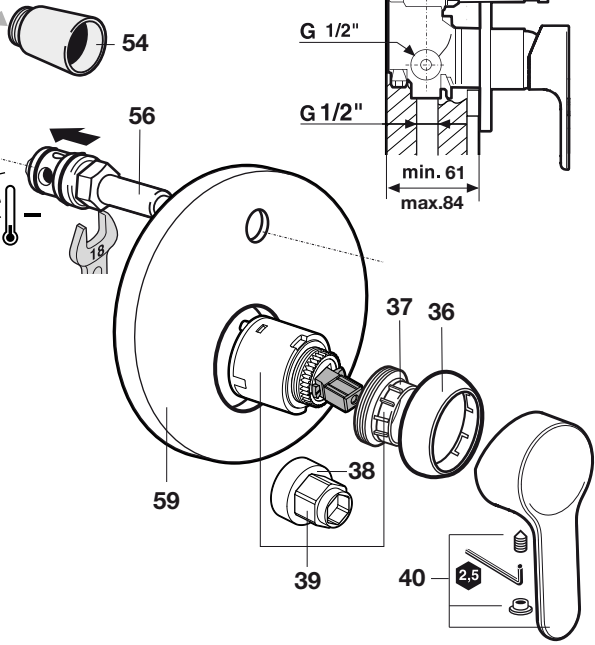
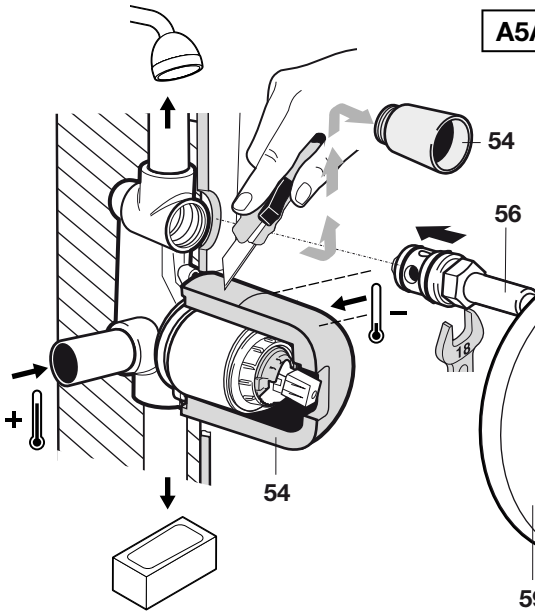
9

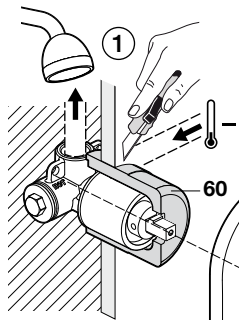


A5A2A09

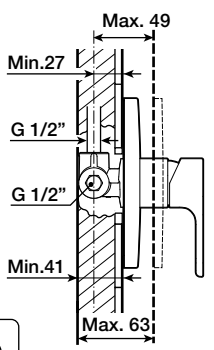
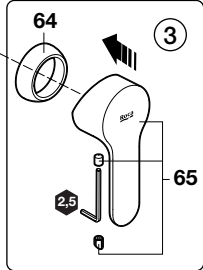
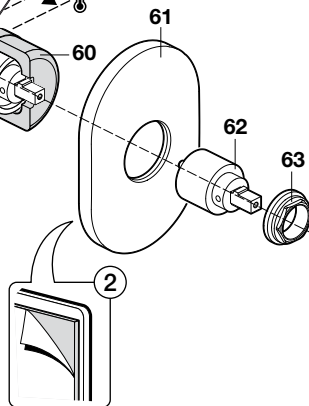


A5A0A09

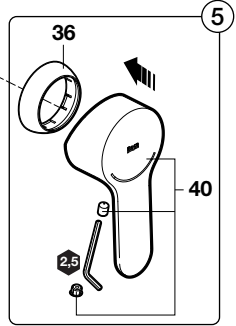
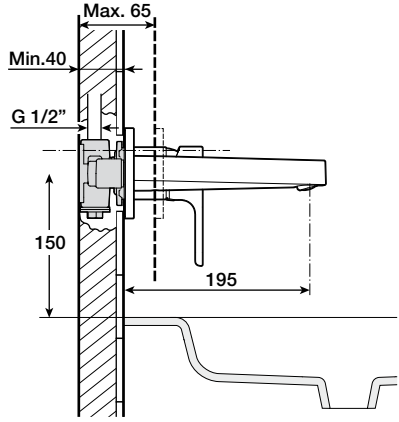
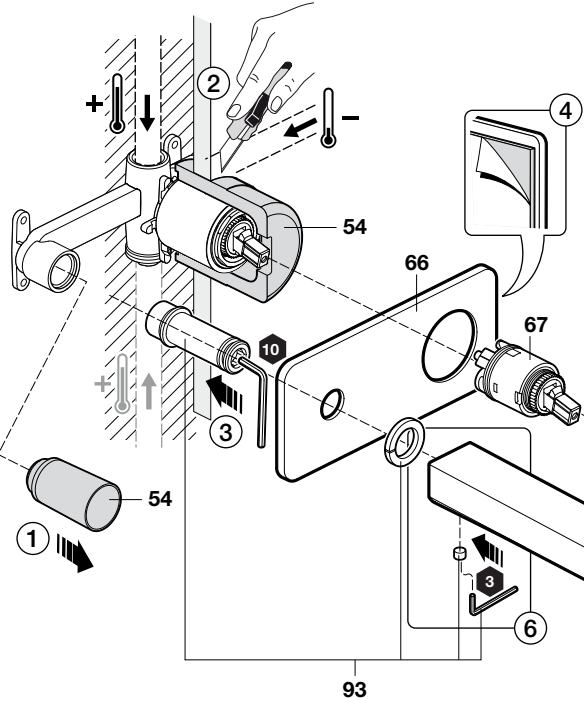




A5A2D09



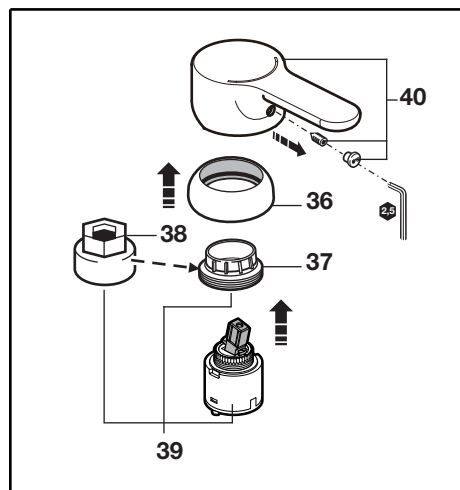
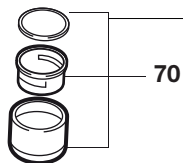
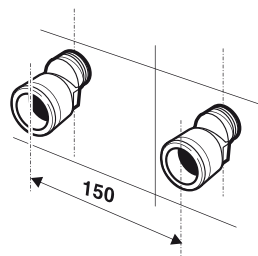
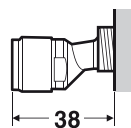
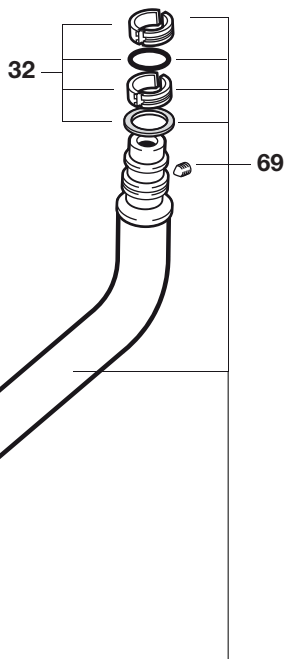
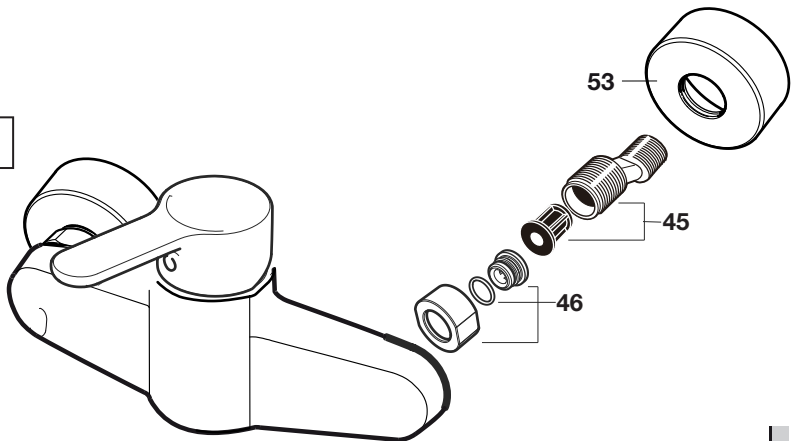
A5A3L09..0 + A525220603



11

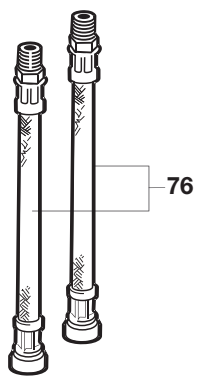
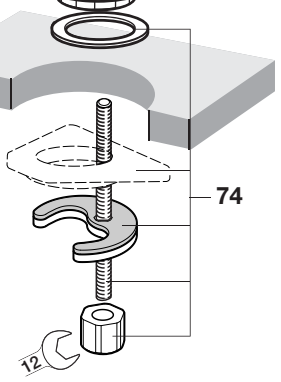
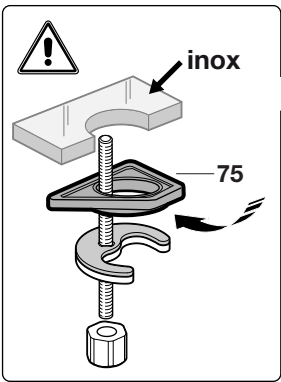
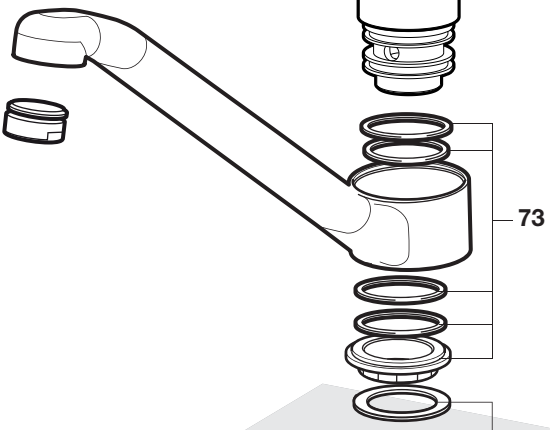
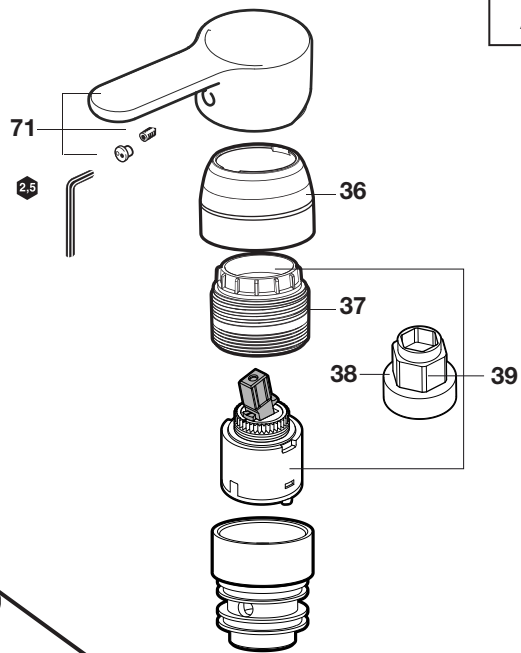


A5A7609

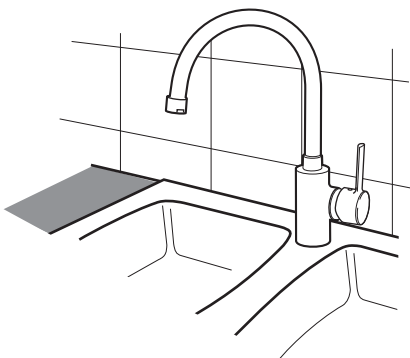
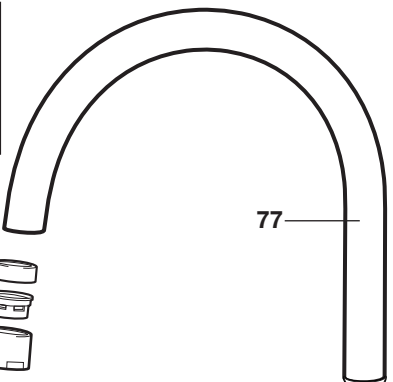


A5A8909

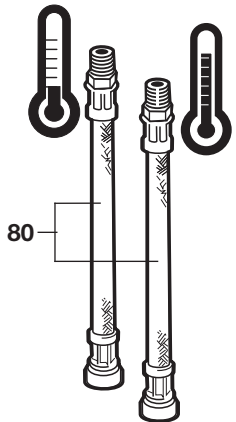
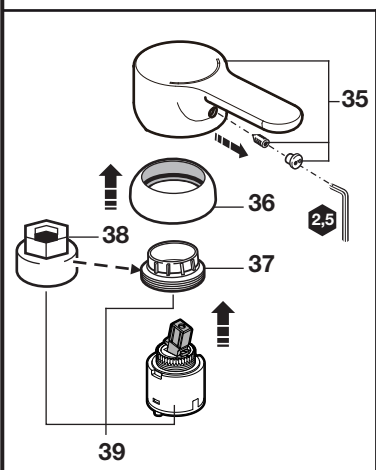
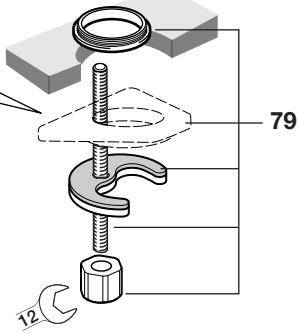
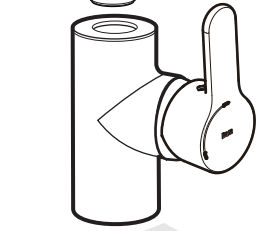
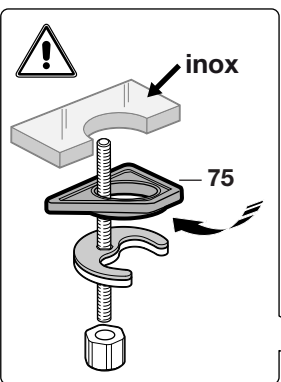
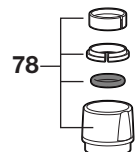
12



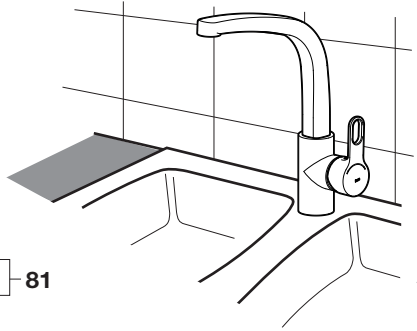
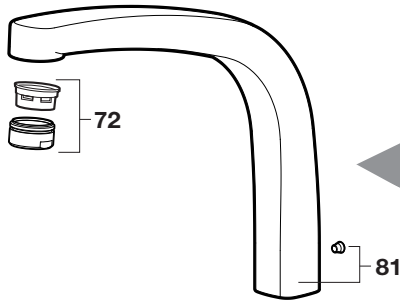
13



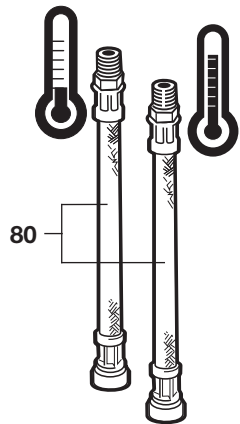
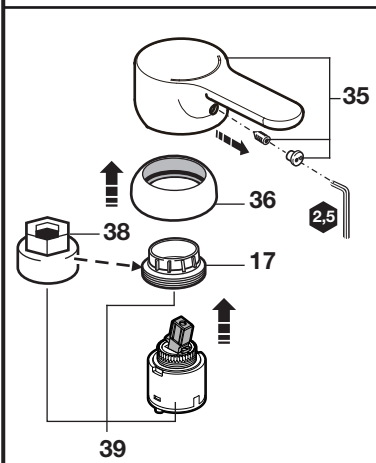
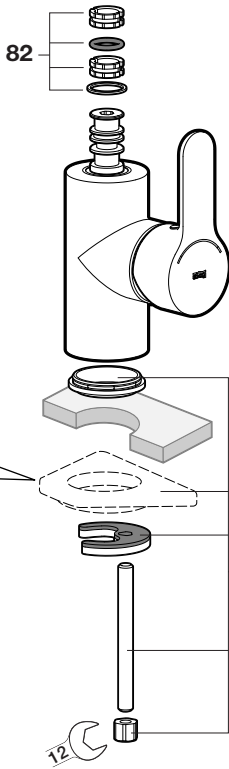
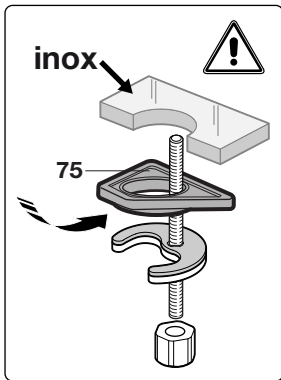
A5A8409



14



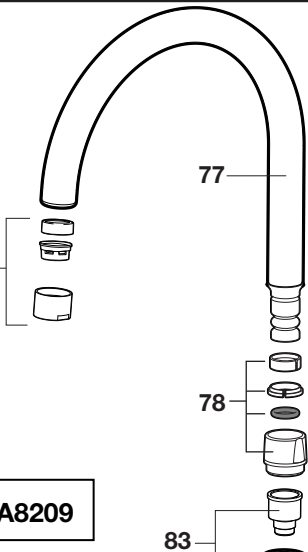
A5A8A09C00



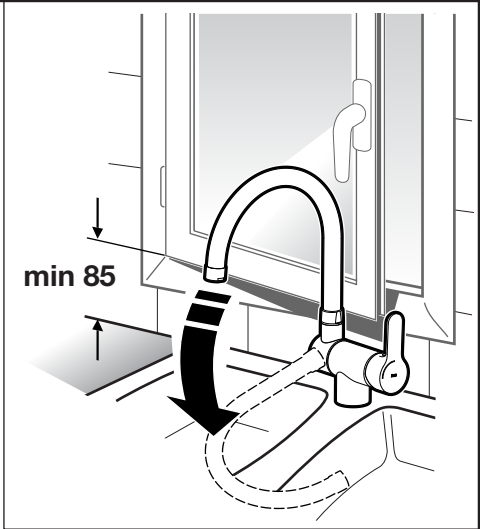
15



70

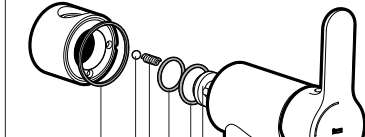


A5A8209



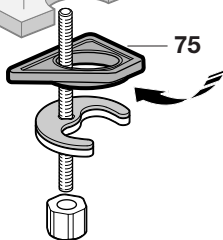
min 85

83

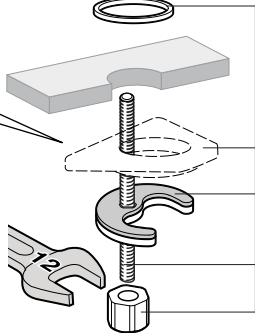


inox

75



6



84

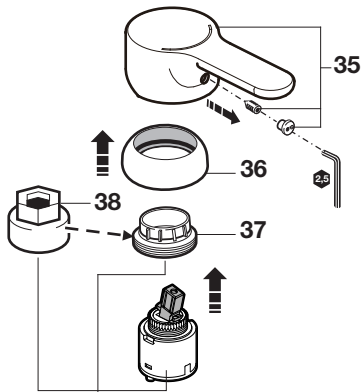
35

36

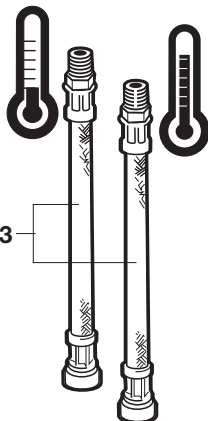
38

37

39



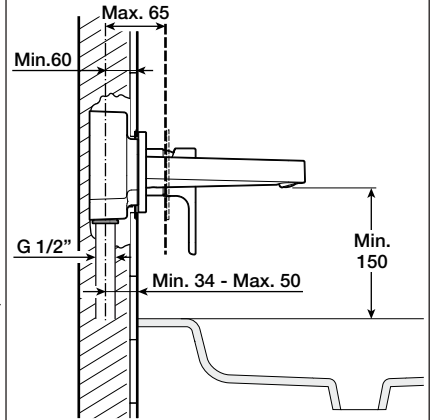
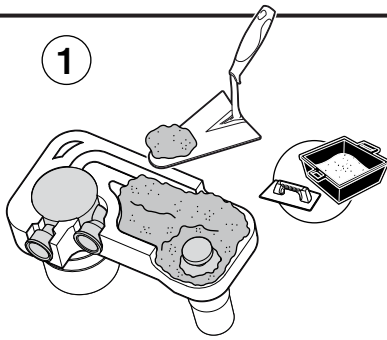
13



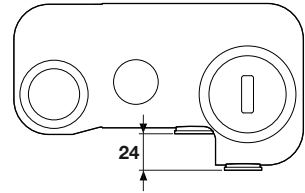
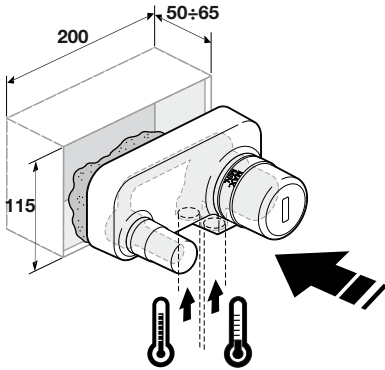
16



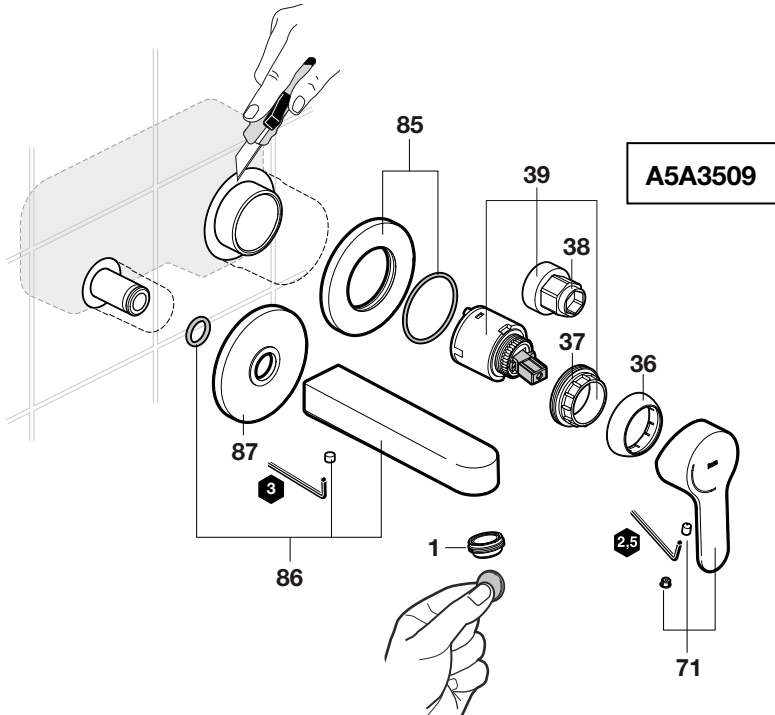
1



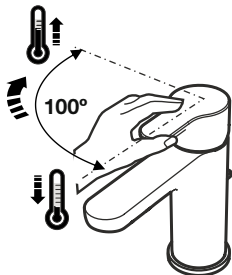
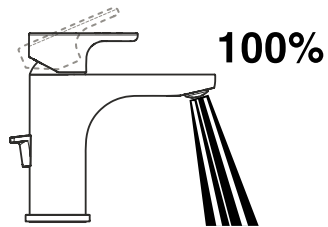
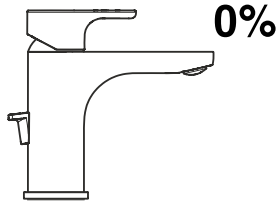
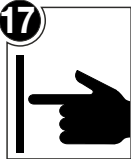
2



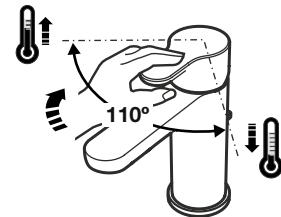
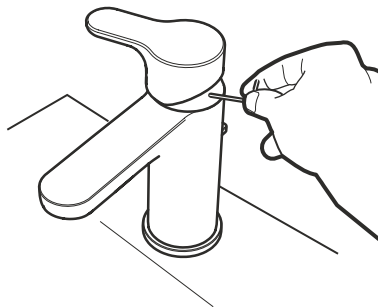
3



17



- | | |
|---------|---------|
| A5A3009 | A5A3J09 |
| A5A3109 | A5A3K09 |
| A5A3209 | A5A6009 |
| A5A3409 | A5A6109 |
| A5A3509 | A5A8209 |
| A5A3B09 | A5A8409 |
| A5A3C09 | |
| A5A3I09 | |



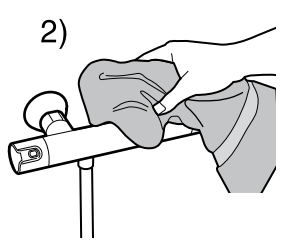
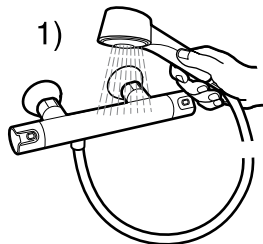
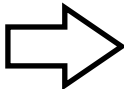
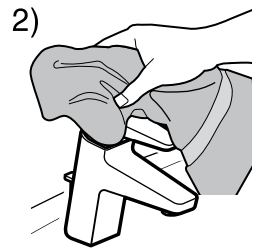
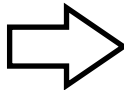
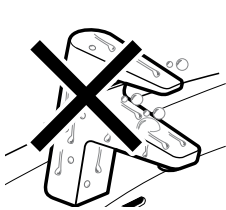
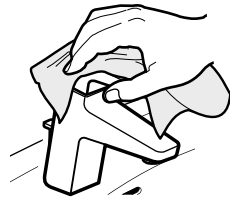
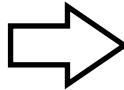
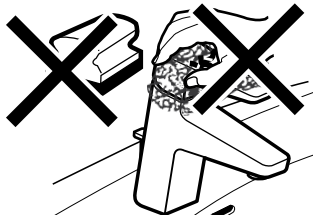
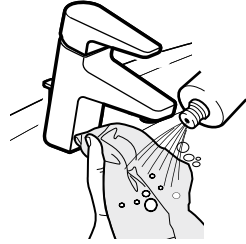
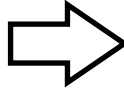
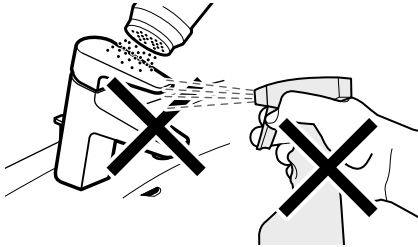
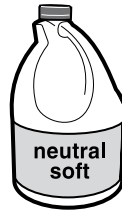
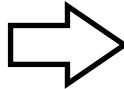
- | | |
|---------|---------|
| A5A0109 | A5A3E09 |
| A5A0209 | A5A3F09 |
| A5A0609 | A5A3G09 |
| A5A2009 | A5A3H09 |
| A5A2109 | A5A6A09 |
| A5A2209 | A5A6B09 |
| A5A3A09 | A5A7609 |
| A5A3D09 | A5A8909 |

| | | |
|----|---|------------|
| 1 | - | AG0129507R |
| 2 | - | AG0134507R |
| 3 | - | AG0099100R |
| 4 | - | A525020600 |
| 5 | - | AG0143700R |
| 6 | - | AG0032800R |
| 7 | - | AG0032000R |
| 8 | - | AG0104000R |
| 9 | - | AG0131500R |
| 10 | - | AG0032100R |
| 11 | - | AG0133903R |
| 12 | - | AG0141207R |
| 13 | - | A525020309 |
| 14 | - | AG0092409R |
| 15 | - | AG0200700R |
| 16 | - | AG0096409R |
| 17 | - | AG0126009R |
| 18 | - | AG0075300R |
| 19 | - | AG0096200R |
| 20 | - | AG0075200R |
| 21 | - | AG0085700R |
| 22 | - | AG0032300R |
| 23 | - | A525094707 |
| 24 | - | AG0117500R |
| 25 | - | AG0046600R |
| 26 | - | A525020409 |
| 27 | - | AG0125509R |
| 28 | - | AG0096509R |
| 29 | - | AG0125909R |
| 30 | - | AG0033300R |
| 31 | - | AG0090100R |
| 32 | - | AG0017707R |

| | | |
|----|---|-----------------|
| 33 | - | AG0122107R |
| 34 | - | A525004403 |
| 35 | - | AG0071600R |
| 36 | - | AG0085300R |
| 37 | - | A525023507 |
| 38 | - | A525005407 |
| 39 | - | AG0110607R |
| 40 | - | AG0032400R |
| 41 | - | AG0036800R |
| 42 | - | A525005507 2 un |
| 43 | - | A525009800 |
| 44 | - | AG0087100R |
| 45 | - | AG0103908R 2 un |
| 46 | - | A525005200 |
| 47 | - | A5B9103..0 |
| 48 | - | AG0003700R |
| 49 | - | AG0126400R |
| 50 | - | A525003600 |
| 51 | - | AG0116500R |
| 52 | - | AG0134907R |
| 53 | - | AG0116800R 2 un |
| 54 | - | AG0001907R |
| 55 | - | A525002800 |
| 56 | - | A525006500 |
| 57 | - | A522821400 |
| 58 | - | AG0119500R |
| 59 | - | AG0119600R |
| 60 | - | AG0172000R |
| 61 | - | AG0172100R |
| 62 | - | AG0123907R |
| 63 | - | AG0172200R |
| 64 | - | AG0172300R |

| | | |
|----|---|------------|
| 65 | - | AG0159400R |
| 66 | - | AG0142300R |
| 67 | - | A525022907 |
| 68 | - | AG0142100R |
| 69 | - | AG0005800R |
| 70 | - | A525006600 |
| 71 | - | AG0071400R |
| 72 | - | A525004700 |
| 73 | - | A525007203 |
| 74 | - | AG0085803R |
| 75 | - | AG0101207R |
| 76 | - | AG0061409R |
| 77 | - | AG0001600R |
| 78 | - | AG0071500R |
| 79 | - | AG0001503R |
| 80 | - | AG0119708R |
| 81 | - | AG0143500R |
| 82 | - | AG0143600R |
| 83 | - | AG0135000R |
| 84 | - | AG0159500R |
| 85 | - | AG0071700R |
| 86 | - | AG0159500R |
| 87 | - | AG0071800R |
| 88 | - | AG0200600R |
| 89 | - | AG0164300R |
| 90 | - | AG0118207R |
| 91 | - | AG0164400R |
| 92 | - | AG0164500R |
| 93 | - | AG0155000R |
| 94 | - | AG0164200R |

18



A543092807Z1



Roca Sanitario, S.A.
Avda. Diagonal, 513
08029 Barcelona
SPAIN
www.roca.com

933 LÍNEA DE ATENCIÓN
661 AL CONSUMIDOR
266 ESPAÑA
SERVICIO TÉCNICO
ESPAÑA



productsupport.rs@roca.net
soporteproducto.rs@roca.net