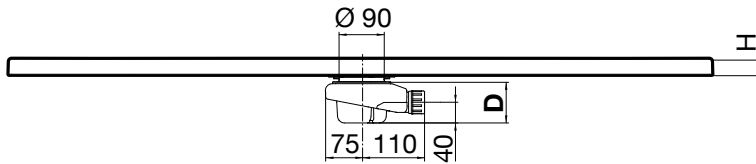
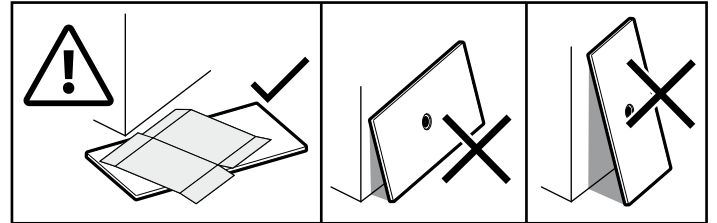
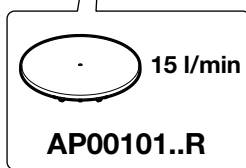
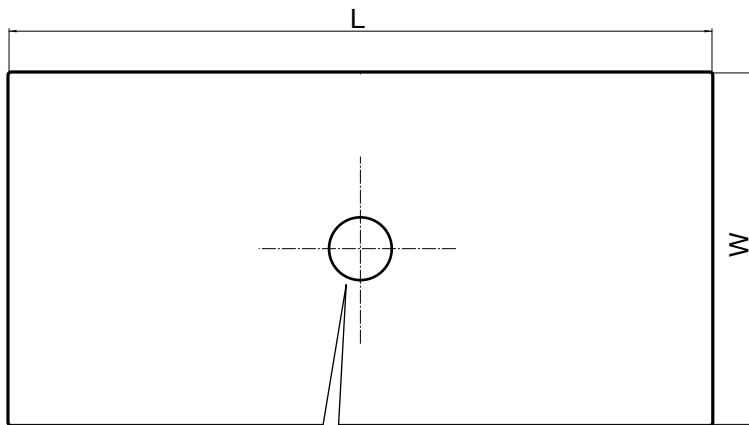


# Roca

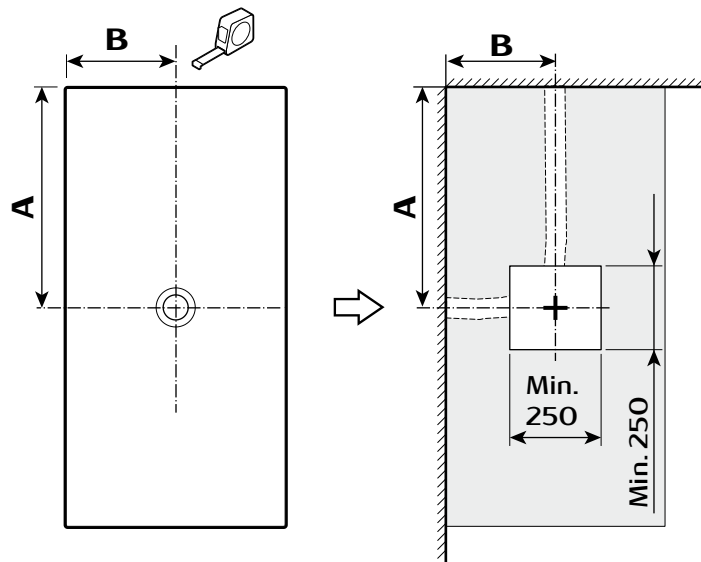
## CRATOS



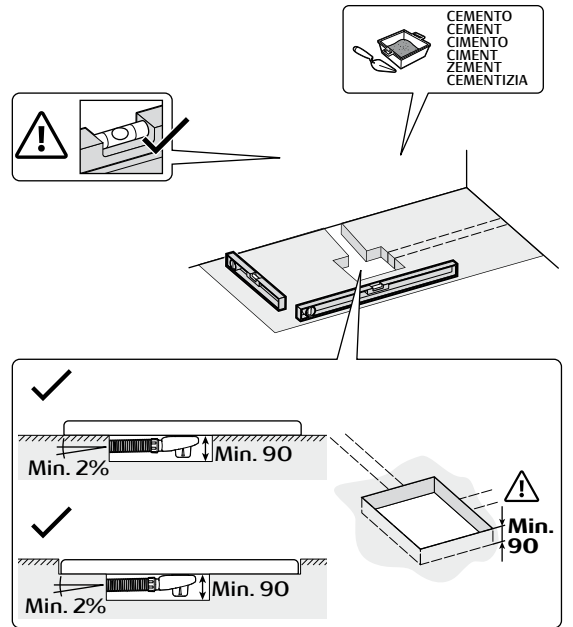
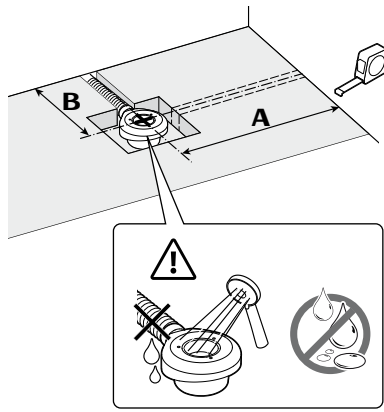
	<b>A27L018000</b>	<b>D</b> 80
--	-------------------	----------------



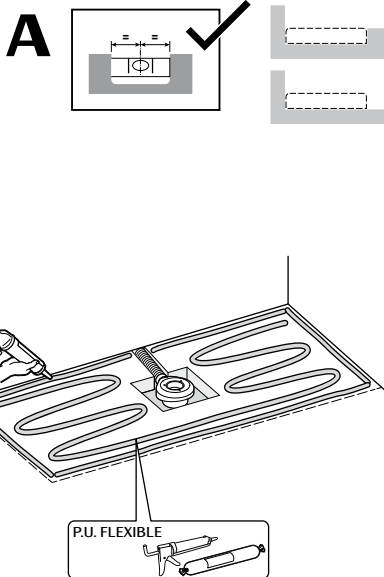
L	W	H	
1800	900	35	
	800		
	700		
1600	900		
	800		
	700		
1400	900		
	800		
	700		
1200	900		
	800		
	700		
1000	900		
	800		
	700		

**1**

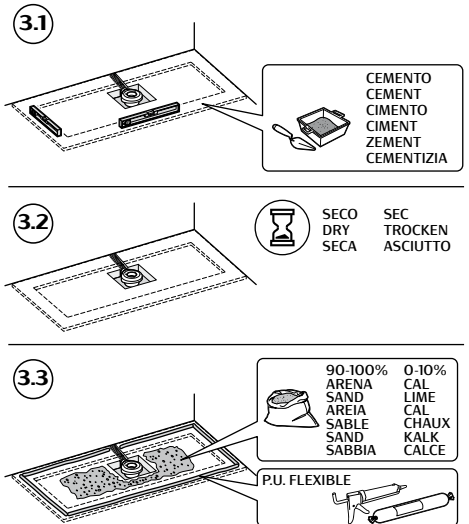
[mm]

**2**

SECO DRY SECA  
SEC TROCKEN ASCIUTTO

**3**

P.U. FLEXIBLE

**B**

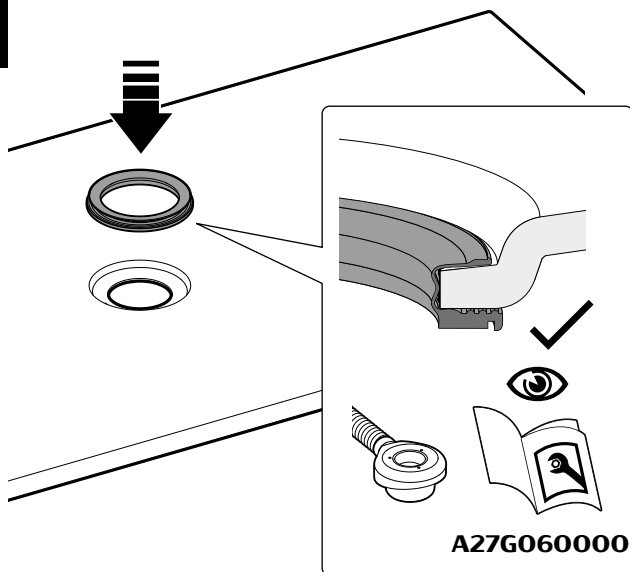
CEMENTO  
CEMENT  
CIMENTO  
CIMENT  
ZEMENT  
CEMENTIZIA

SECO DRY SECA  
SEC TROCKEN ASCIUTTO

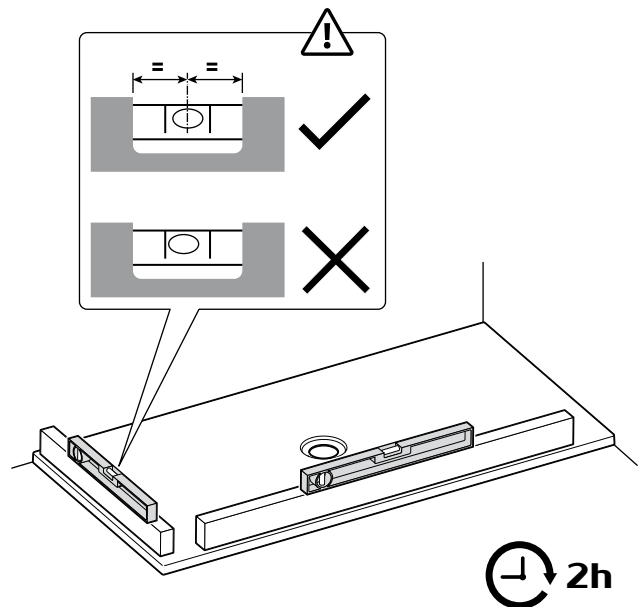
90-100% ARENA  
SAND  
AREIA  
SABLE  
SAND  
SABBIA

0-10% CAL  
LIME  
CAL  
CHAUX  
KALK  
CALCE

P.U. FLEXIBLE

**4**

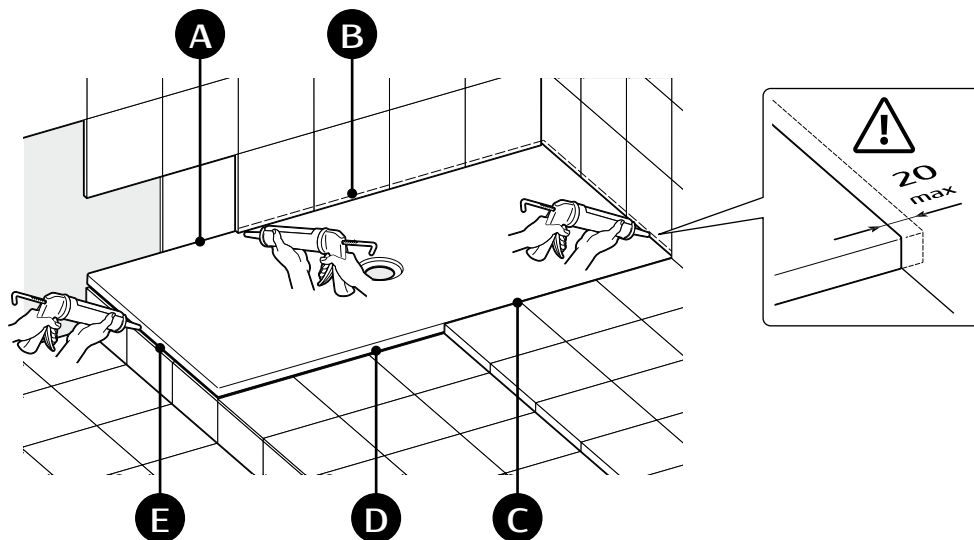
A27G060000

**5**

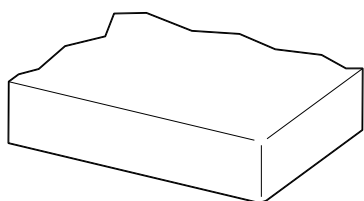
2h

6

\* SILICONE  
NO ACETIC



STANDARD



CUT

